

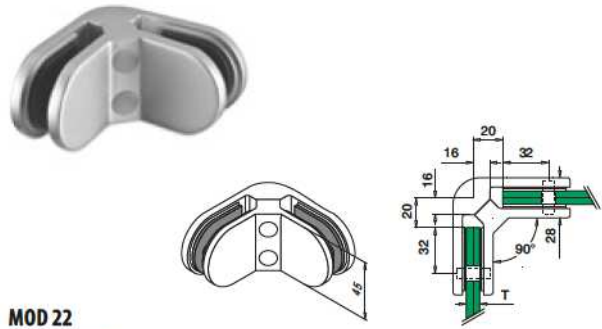
MOD 22

MONO		
304		
INDOOR	T	
13.2206.700.12	6	2
13.2208.700.12	8	2
13.2210.700.12	10	2

LAM.		
304		
INDOOR	T	
13.2207.700.12	6,76 (3 - 0,76 - 3)	2
13.2241.700.12	8,38 (4 - 0,38 - 4)	2
13.2209.700.12	8,76 (4 - 0,76 - 4)	2
13.2244.700.12	9,52 (4 - 1,52 - 4)	2

MONO		
316		
OUTDOOR	T	
14.2206.700.12	6	2
14.2208.700.12	8	2
14.2210.700.12	10	2

LAM.		
316		
OUTDOOR	T	
14.2207.700.12	6,76 (3 - 0,76 - 3)	2
14.2241.700.12	8,38 (4 - 0,38 - 4)	2
14.2209.700.12	8,76 (4 - 0,76 - 4)	2
14.2244.700.12	9,52 (4 - 1,52 - 4)	2



MOD 22

MONO		
304		
INDOOR	T	
13.2206.900.12	6	2
13.2208.900.12	8	2
13.2210.900.12	10	2

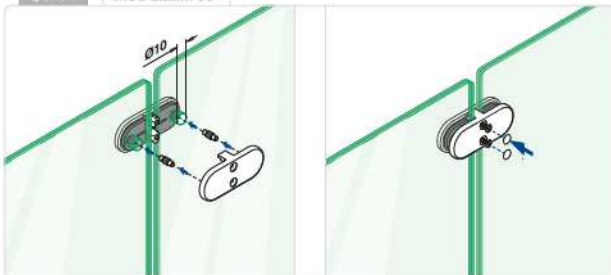
LAM.		
304		
INDOOR	T	
13.2207.900.12	6,76 (3 - 0,76 - 3)	2
13.2241.900.12	8,38 (4 - 0,38 - 4)	2
13.2209.900.12	8,76 (4 - 0,76 - 4)	2
13.2244.900.12	9,52 (4 - 1,52 - 4)	2

MONO		
316		
OUTDOOR	T	
14.2206.900.12	6	2
14.2208.900.12	8	2
14.2210.900.12	10	2

LAM.		
316		
OUTDOOR	T	
14.2207.900.12	6,76 (3 - 0,76 - 3)	2
14.2241.900.12	8,38 (4 - 0,38 - 4)	2
14.2209.900.12	8,76 (4 - 0,76 - 4)	2
14.2244.900.12	9,52 (4 - 1,52 - 4)	2



Q-INFO MOD 22xx.700



Q-INFO



Q-INFO



Q-INFO MOD 22xx.900

