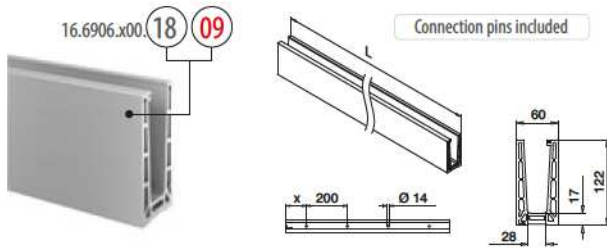


Railing bases

### EASY GLASS® PRO - Base shoe, top mount



#### MOD 6906

Aluminium	Stainless steel effect			
<b>OUTDOOR</b>	X			
16.6906.000.18	50	QS-557	340 / QS-560	342 L = 2500 mm
16.6906.500.18	100	QS-557	340 / QS-560	342 L = 5000 mm
<b>Aluminium</b>	Stainless steel effect IX			
16.6906.500.09	100	QS-557	340 / QS-560	342 L = 5000 mm

15 µ anodisation

Aluminium	Stainless steel effect			
<b>INDOOR</b>	X			
16.6906.501.18	100	QS-558	340 / QS-561	342 L = 5000 mm

NEW



International Design Model Protection

Railing bases

### EASY GLASS® PRO - Connection pins



#### MOD 3005

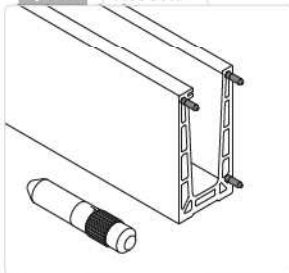
316		
<b>OUTDOOR</b>		
14.3005.000.00	6	

NEW



Q-INFO

MOD 3005



Q-INFO

MOD 6906



Stainless steel effect

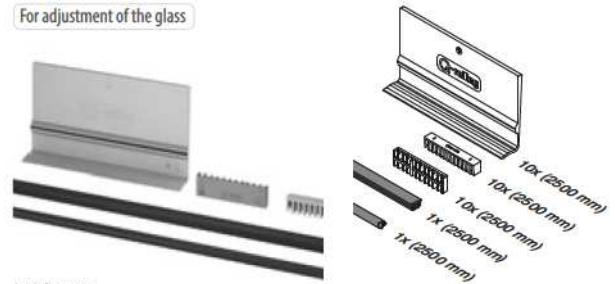


Stainless steel effect IX  
Almost as real as stainless steel.

Railing bases

### EASY GLASS® PRO - Rubber set

For adjustment of the glass



#### MOD 6906

	T	
19.6906.012.00	12	L = 2500 mm
19.6906.013.00	12,76 (6 - 0,76 - 6)	L = 2500 mm
19.6906.014.00	13,52 (6 - 1,52 - 6)	L = 2500 mm
19.6906.015.00	15	L = 2500 mm
19.6906.017.00	16,76 (8 - 0,76 - 8)	L = 2500 mm
19.6906.018.00	17,52 (8 - 1,52 - 8)	L = 2500 mm
19.6906.019.00	19	L = 2500 mm
19.6906.021.00	20,76 (10 - 0,76 - 10)	L = 2500 mm
19.6906.022.00	21,52 (10 - 1,52 - 10)	L = 2500 mm

19.6906.912.00	12	L = 5000 mm
19.6906.913.00	12,76 (6 - 0,76 - 6)	L = 5000 mm
19.6906.914.00	13,52 (6 - 1,52 - 6)	L = 5000 mm
19.6906.915.00	15	L = 5000 mm
19.6906.917.00	16,76 (8 - 0,76 - 8)	L = 5000 mm
19.6906.918.00	17,52 (8 - 1,52 - 8)	L = 5000 mm
19.6906.919.00	19	L = 5000 mm
19.6906.921.00	20,76 (10 - 0,76 - 10)	L = 5000 mm
19.6906.922.00	21,52 (10 - 1,52 - 10)	L = 5000 mm

19.6906.512.00	12	L = 25 m
19.6906.513.00	12,76 (6 - 0,76 - 6)	L = 25 m
19.6906.514.00	13,52 (6 - 1,52 - 6)	L = 25 m
19.6906.515.00	15	L = 25 m
19.6906.517.00	16,76 (8 - 0,76 - 8)	L = 25 m
19.6906.518.00	17,52 (8 - 1,52 - 8)	L = 25 m
19.6906.519.00	19	L = 25 m
19.6906.521.00	20,76 (10 - 0,76 - 10)	L = 25 m
19.6906.522.00	21,52 (10 - 1,52 - 10)	L = 25 m

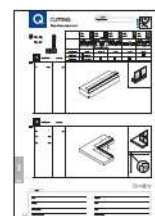
NEW

International Design Model Protection

For more information, please visit our website: [www.q-railing.com](http://www.q-railing.com)

Q-INFO

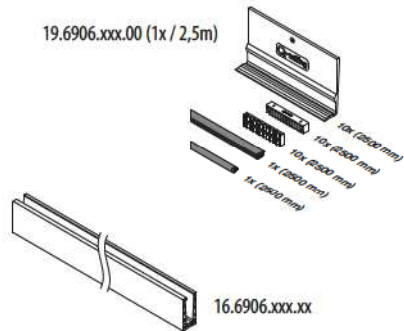
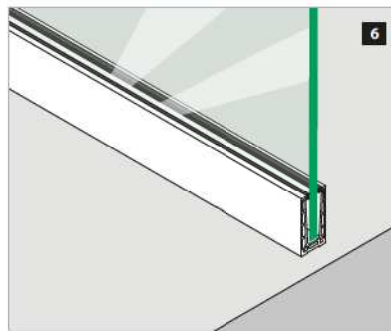
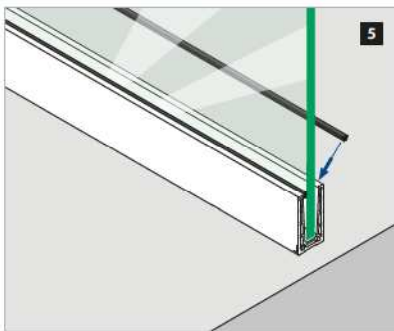
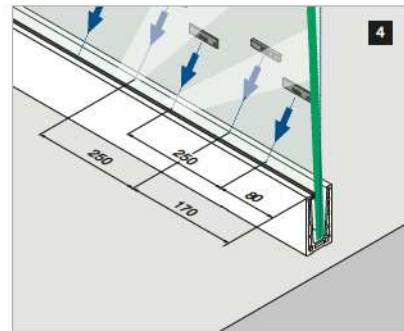
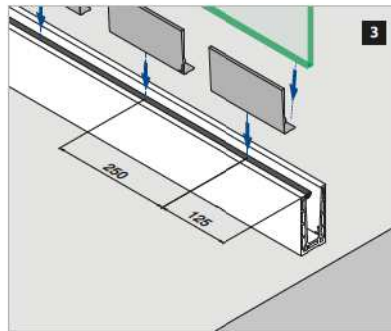
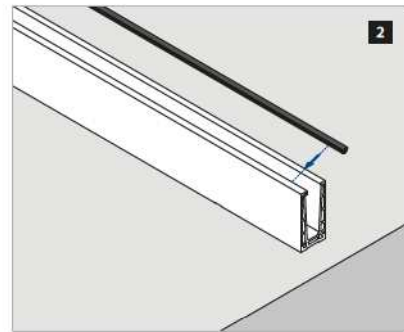
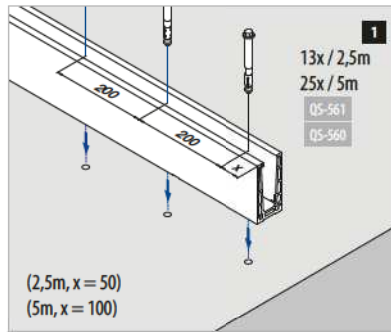
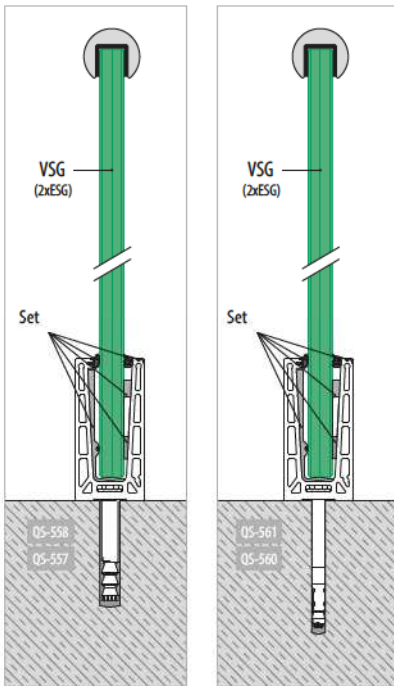
MOD 6906



We can cut this article for you based on your specifications for length and required angles. Contact us for details, or see the 'Cutting' information on page 376-378, 382.

EASY GLASS® PRO - Base shoe, top mount

Q-INFO



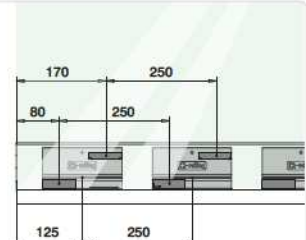
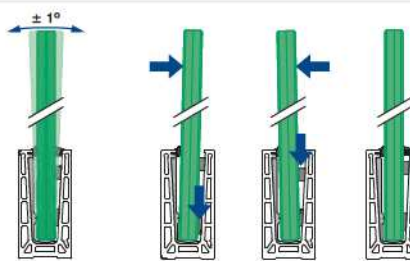
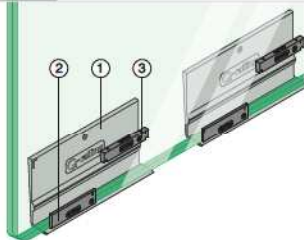
VSG (2x ESG): Laminated glass from toughened glass  
 ESG : Toughened glass

Please note for specifications such as mounting and glass dimension measurements, see the respective certificates.

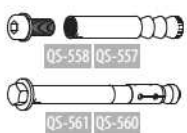
For more information, please visit our website: [www.q-railing.com](http://www.q-railing.com)



Q-INFO



Q-INFO



Please see pages 22-25 to choose the anchor you need regarding your construction situation.

EASY GLASS® PRO - Rubber set

No adjustment of the glass (fixed mounting)



MOD 6901

Accessories

	T	☐
19.6901.012.00	12	L = 2500 mm
19.6901.013.00	12,76 (6 - 0,76 - 6)	L = 2500 mm
19.6901.014.00	13,52 (6 - 1,52 - 6)	L = 2500 mm
19.6901.015.00	15	L = 2500 mm
19.6901.017.00	16,76 (8 - 0,76 - 8)	L = 2500 mm
19.6901.018.00	17,52 (8 - 1,52 - 8)	L = 2500 mm
19.6901.019.00	19	L = 2500 mm
19.6901.021.00	20,76 (10 - 0,76 - 10)	L = 2500 mm
19.6901.022.00	21,52 (10 - 1,52 - 10)	L = 2500 mm

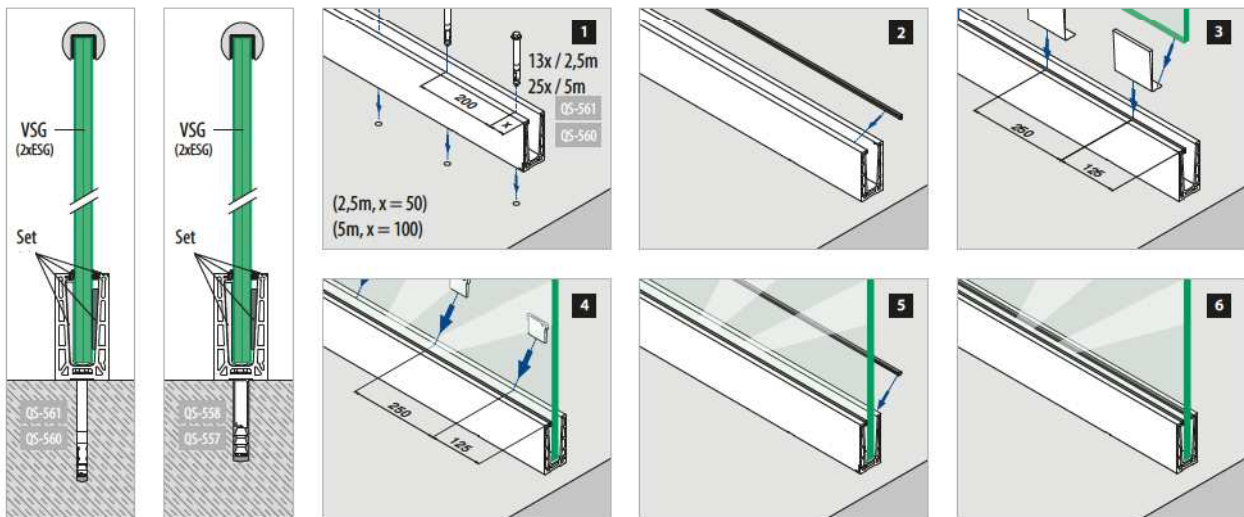
19.6901.912.00	12	L = 5000 mm
19.6901.913.00	12,76 (6 - 0,76 - 6)	L = 5000 mm
19.6901.914.00	13,52 (6 - 1,52 - 6)	L = 5000 mm
19.6901.915.00	15	L = 5000 mm
19.6901.917.00	16,76 (8 - 0,76 - 8)	L = 5000 mm
19.6901.918.00	17,52 (8 - 1,52 - 8)	L = 5000 mm
19.6901.919.00	19	L = 5000 mm
19.6901.921.00	20,76 (10 - 0,76 - 10)	L = 5000 mm
19.6901.922.00	21,52 (10 - 1,52 - 10)	L = 5000 mm

19.6901.512.00	12	L = 25 m
19.6901.513.00	12,76 (6 - 0,76 - 6)	L = 25 m
19.6901.514.00	13,52 (6 - 1,52 - 6)	L = 25 m
19.6901.515.00	15	L = 25 m
19.6901.517.00	16,76 (8 - 0,76 - 8)	L = 25 m
19.6901.518.00	17,52 (8 - 1,52 - 8)	L = 25 m
19.6901.519.00	19	L = 25 m
19.6901.521.00	20,76 (10 - 0,76 - 10)	L = 25 m
19.6901.522.00	21,52 (10 - 1,52 - 10)	L = 25 m

NEW

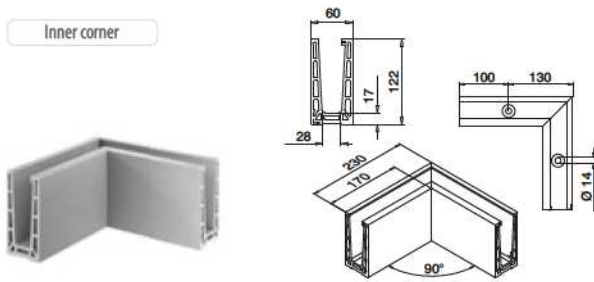
International Design Model Protection

Q-INFO



EASY GLASS® PRO - Connectors, top mount

Inner corner

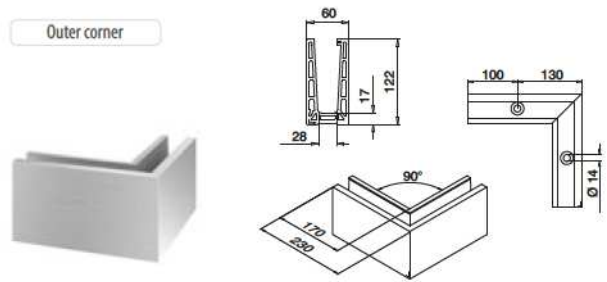


MOD 6313

<b>Aluminium</b>	Stainless steel effect		
<b>OUTDOOR</b>			
16.6313.006.18	QS-557 340 / QS-560 342		1
<b>Aluminium</b>	Stainless steel effect IX		
16.6313.006.09	QS-557 340 / QS-560 342		1



Outer corner



MOD 6314

<b>Aluminium</b>	Stainless steel effect		
<b>OUTDOOR</b>			
16.6314.006.18	QS-557 340 / QS-560 342		1
<b>Aluminium</b>	Stainless steel effect IX		
16.6314.006.09	QS-557 340 / QS-560 342		1



Accessories

EASY GLASS® - Multitool



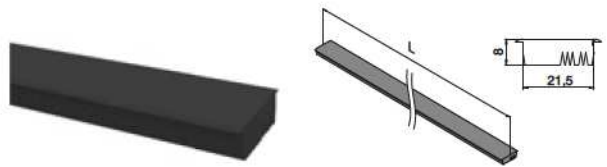
MOD 6920

<b>Accessories</b>	Q	
19.6920.000.00	Q-71	1

International Design Model Protection

Railing bases

EASY GLASS® PRO - Cover / intermediate rubber



MOD 6901

<b>Accessories</b>		
19.6901.001.00	L = 2500 mm	



Q-INFO MOD 6313 / 6314



Stainless steel effect

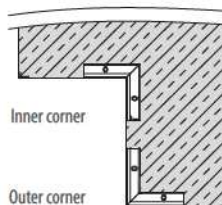


Stainless steel effect IX  
Almost as real as stainless steel.

Q-INFO MOD 6920



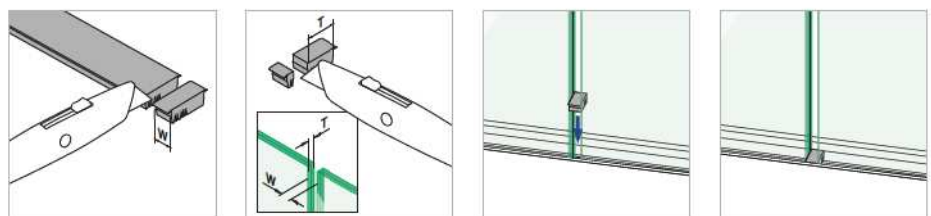
Q-INFO MOD 6313 / 6314



Inner corner

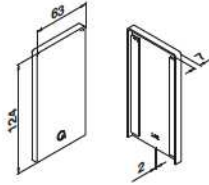
Outer corner

Q-INFO MOD 6901



**EASY GLASS® PRO - End fittings, top mount**

Left + right applicable



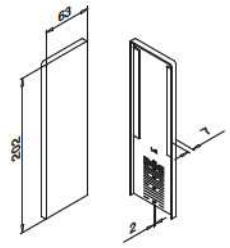
**MOD 6734**

Aluminium	Stainless steel effect	
<b>OUTDOOR</b>		
16.6734.006.18		1
Aluminium	Stainless steel effect IX	
16.6734.006.09		1

**NEW**

International Design Model Protection

For stairs  
Left + right applicable



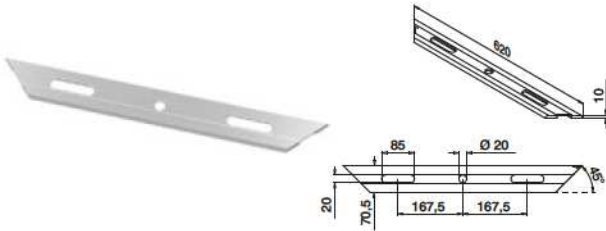
**MOD 6736**

Aluminium	Stainless steel effect	
<b>OUTDOOR</b>		
16.6736.006.18		1
Aluminium	Stainless steel effect IX	
16.6736.006.09		1

**NEW**

International Design Model Protection

**EASY GLASS® PRO - Drainage profiles, top mount**

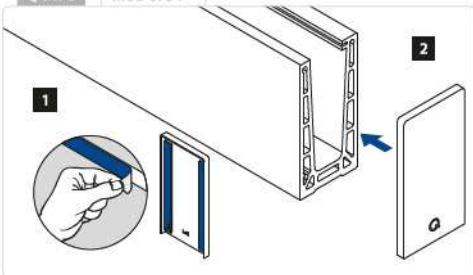


**MOD 6948**

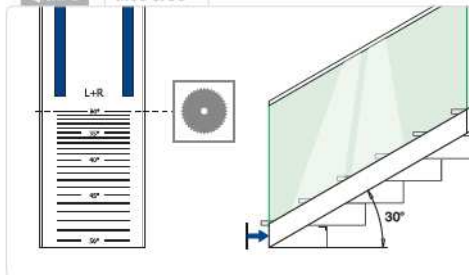
Aluminium	Stainless steel effect	
<b>OUTDOOR</b>		
16.6948.006.18		4

**NEW**

Q-INFO MOD 6734



Q-INFO MOD 6736



Q-INFO MOD 6948

