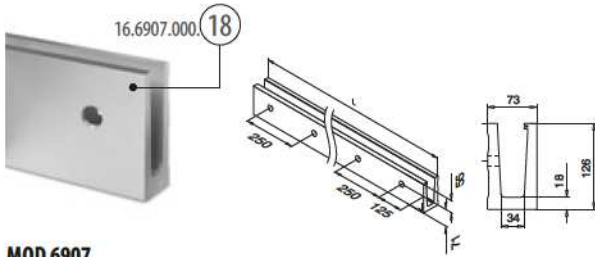
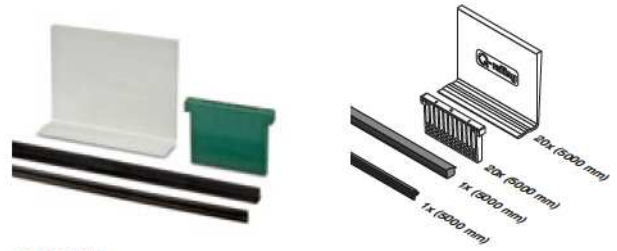


EASY GLASS® 3KN - Base shoe, fascia mount



**MOD 6907**

Aluminium	Stainless steel effect
<b>OUTDOOR</b>	
16.6907.000.18	QS-73 339 / QS-74 335 L = 2500 mm



**MOD 6907**

Accessories		
	T	
19.6907.919.00	19	L = 5000 mm
19.6907.921.00	20,76 (10 - 0,76 - 10)	L = 5000 mm
19.6907.922.00	21,52 (10 - 1,52 - 10)	L = 5000 mm
19.6907.924.00	24,76 (12 - 0,76 - 12)	L = 5000 mm
19.6907.925.00	25	L = 5000 mm
19.6907.926.00	25,52 (12 - 1,52 - 12)	L = 5000 mm
19.6907.932.00	31,52 (15 - 1,52 - 15)	L = 5000 mm
19.6907.519.00	19	L = 25 m
19.6907.521.00	20,76 (10 - 0,76 - 10)	L = 25 m
19.6907.522.00	21,52 (10 - 1,52 - 10)	L = 25 m
19.6907.524.00	24,76 (12 - 0,76 - 12)	L = 25 m
19.6907.525.00	25	L = 25 m
19.6907.526.00	25,52 (12 - 1,52 - 12)	L = 25 m
19.6907.532.00	31,52 (15 - 1,52 - 15)	L = 25 m

EASY GLASS® - Multitool



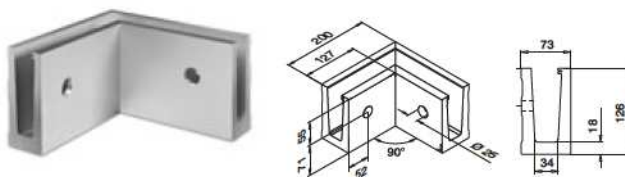
**MOD 6920**

Accessories		
	Q	
19.6920.000.00	Q-71	1

Safety Wedge System:  
Glass is being clamped. Drilling is not necessary.

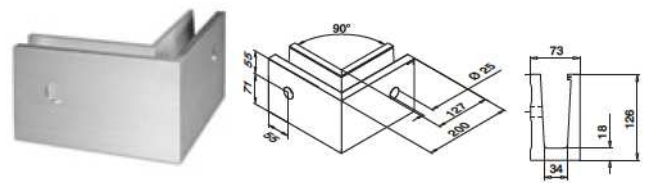
International Design Model Protection

EASY GLASS® 3KN - Connectors, fascia mount



**MOD 6315**

Aluminium	Stainless steel effect
<b>OUTDOOR</b>	
16.6315.007.18	QS-73 339 / QS-74 335 1

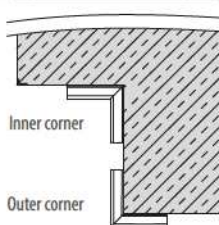


**MOD 6316**

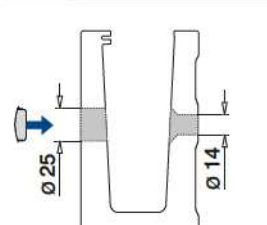
Aluminium	Stainless steel effect
<b>OUTDOOR</b>	
16.6316.007.18	QS-73 339 / QS-74 335 1



Q-INFO MOD 6315 / 6316



Q-INFO MOD 6907 / 6315 / 6316



Q-INFO MOD 6907



We can cut this article for you based on your specifications for length and required angles. Contact us for details, or see the 'Cutting' information on page 379-381, 383.

EASY GLASS® 3KN - Cladding, fascia mount

Cladding frontside



**MOD 6920**

**304**

**INDOOR**

13.6920.007.12

L = 2500 mm

Cladding frontside



**MOD 6920**

**Aluminium**

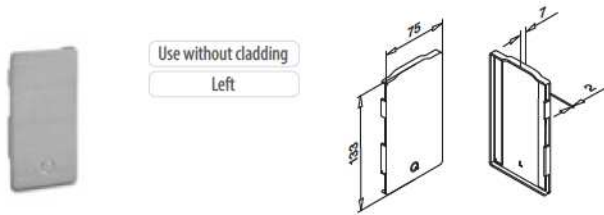
Stainless steel effect

**OUTDOOR**

16.6920.007.18

L = 2500 mm

EASY GLASS® 3KN - End fittings, fascia mount



Use without cladding

Left

**MOD: 6734**

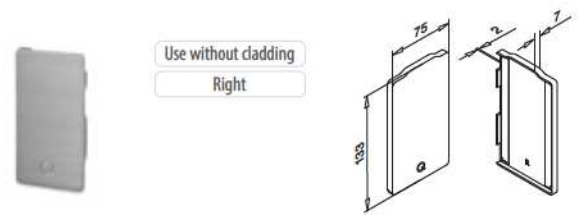
**Aluminium**

Stainless steel effect

**OUTDOOR**

16.6734.007.18

1



Use without cladding

Right

**MOD: 6735**

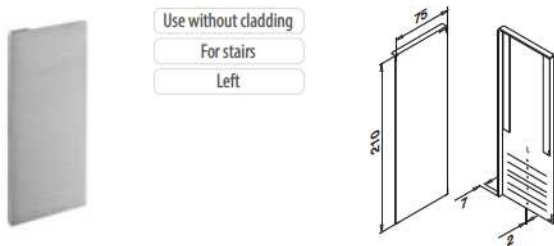
**Aluminium**

Stainless steel effect

**OUTDOOR**

16.6735.007.18

1



Use without cladding

For stairs

Left

**MOD 6736**

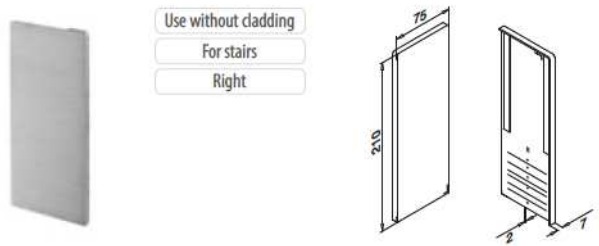
**Aluminium**

Stainless steel effect

**OUTDOOR**

16.6736.007.18

1



Use without cladding

For stairs

Right

**MOD 6737**

**Aluminium**

Stainless steel effect

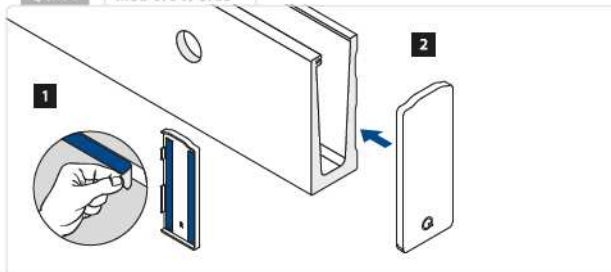
**OUTDOOR**

16.6737.007.18

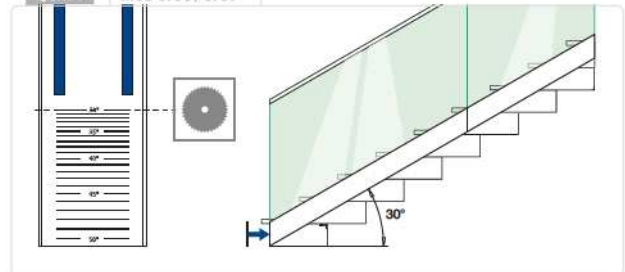
1



Q-INFO MOD 6734 / 6735



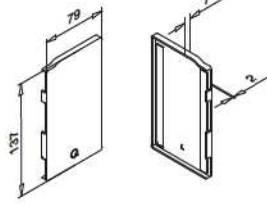
Q-INFO MOD 6736 / 6737



EASY GLASS® 3KN - End fittings, fascia mount



For stainless steel cladding  
Left

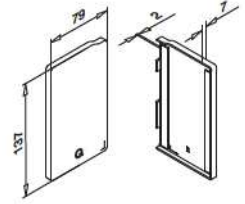


**MOD 6734**

Zinc	Stainless steel effect
OUTDOOR	
10.6734.107.20	1



For stainless steel cladding  
Right

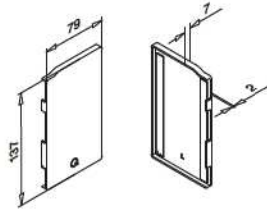


**MOD 6735**

Zinc	Stainless steel effect
OUTDOOR	
10.6735.107.20	1



For aluminium cladding  
Left

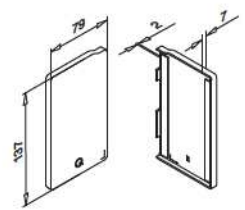


**MOD 6734**

Aluminium	Stainless steel effect
OUTDOOR	
16.6734.107.18	1



For aluminium cladding  
Right



**MOD 6735**

Aluminium	Stainless steel effect
OUTDOOR	
16.6735.107.18	1

EASY GLASS® 3KN - Cover caps, fascia mount

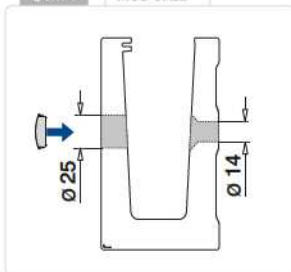
Use without cladding



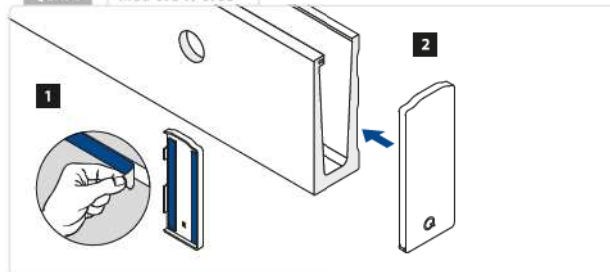
**MOD 6922**

ABS plastic	
OUTDOOR	
24.6922.007.36	10

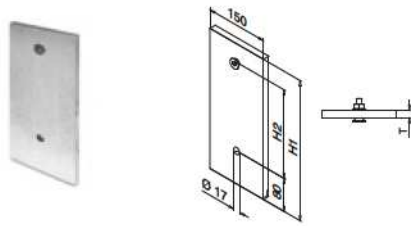
Q-INFO MOD 6922



Q-INFO MOD 6734 / 6735

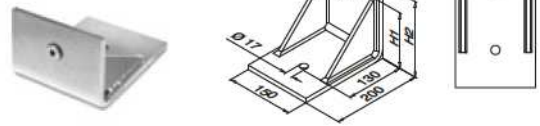


EASY GLASS® 3KN - Mounting plates, fascia mount



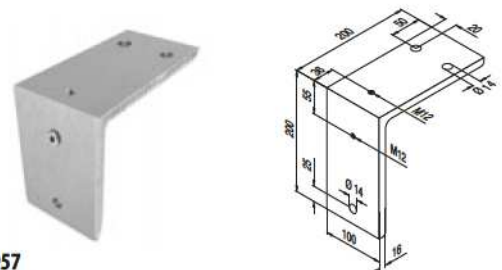
**MOD 6954**

Zinc-plated		H1	H2	T	
19.6954.250.15	QS-507 339	250	120	20	1
19.6954.340.15	QS-507 339	340	210	20	1



**MOD 6955**

Zinc-plated		H1	H2	T	
19.6955.175.15	QS-507 339	130	175	15	1



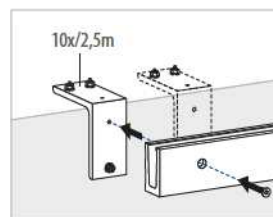
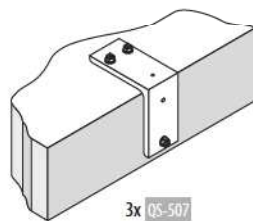
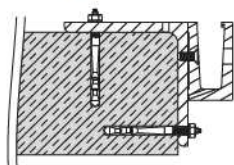
**MOD 6957**

Zinc-plated			
19.6957.200.15	QS-507 339		1

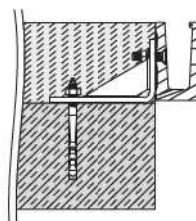
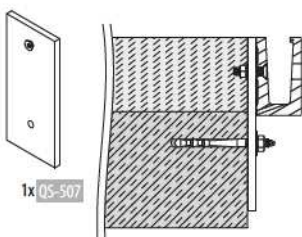


Q-INFO MOD 6957

**3kN**

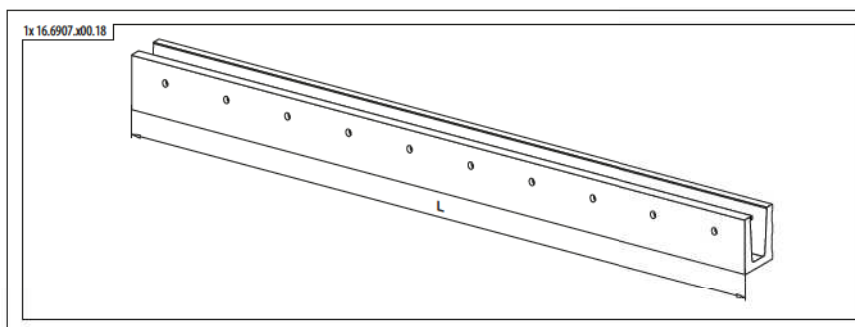
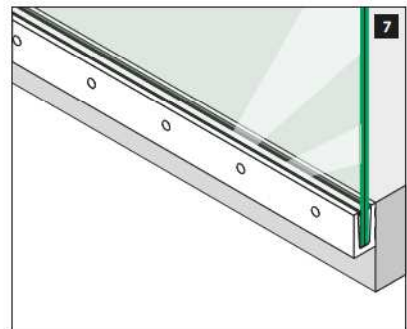
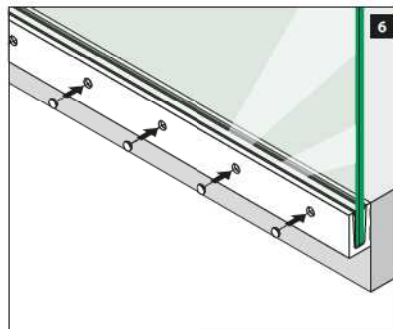
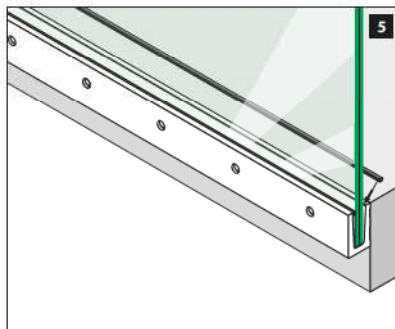
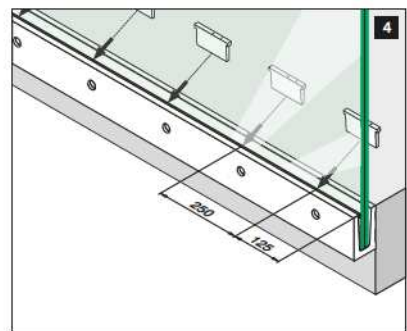
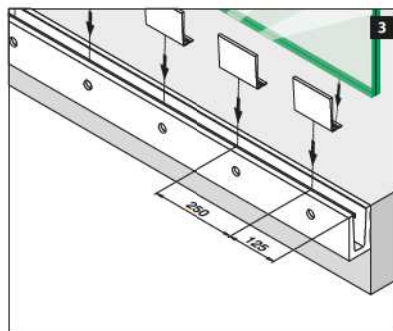
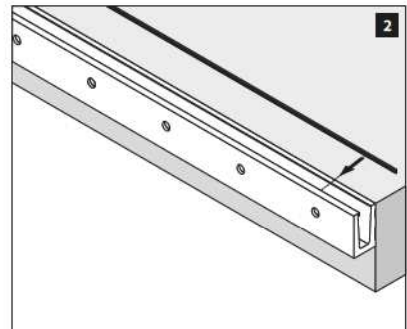
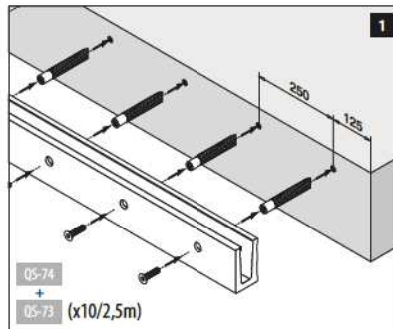
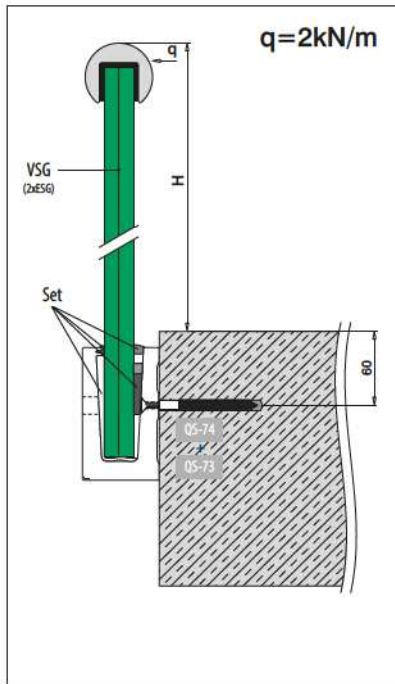


Q-INFO MOD 6954 / 6955



Q-INFO MOD 6907

Possible applications  
Mounting, fascia mount



VSG (2x ESG): Laminated glass from toughened glass  
ESG : Toughened glass

Please note for specifications such as mounting and glass dimension measurements, see the respective certificates.

For more information, please visit our website:  
[www.q-railing.com](http://www.q-railing.com)



Q-INFO MOD 6921

