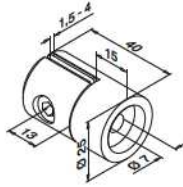


## Flat - plate



## MOD 0743

304

## INDOOR

13.0743.000.12	QS-17	335	4
----------------	-------	-----	---

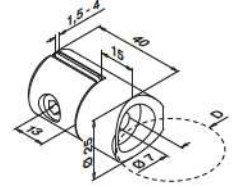
316

## OUTDOOR

14.0743.000.12	QS-18	335	4
----------------	-------	-----	---



## Tube - plate



## MOD 0743

304

## INDOOR

13.0743.033.12	D	QS-17	335	4
----------------	---	-------	-----	---

13.0743.042.12	Ø 42,4	QS-17	335	4
----------------	--------	-------	-----	---

13.0743.048.12	Ø 48,3	QS-17	335	4
----------------	--------	-------	-----	---

316

## OUTDOOR

14.0743.042.12	D	QS-18	335	4
----------------	---	-------	-----	---

14.0743.048.12	Ø 48,3	QS-18	335	4
----------------	--------	-------	-----	---



## Q-INFO



Q-23

Q-cleaner  
300 ml

19.0601.000.00

## Q-INFO

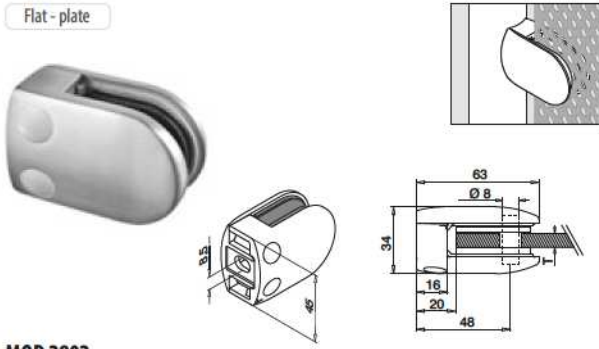


Q-22

Q-ultra-clean  
500 ml

19.0610.000.00

Flat - plate



MOD 2802

304				
INDOOR	T			
13.2802.000.12	2	QS-47	333	4
316				
OUTDOOR	T			
14.2802.000.12	2	QS-45	333	4

MOD 2803

304				
INDOOR	T			
13.2803.000.12	3	QS-47	333	4
316				
OUTDOOR	T			
14.2803.000.12	3	QS-45	333	4

MOD 2804

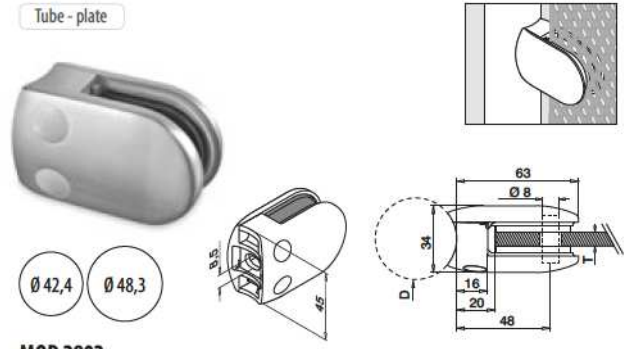
304				
INDOOR	T			
13.2804.000.12	4	QS-47	333	4
316				
OUTDOOR	T			
14.2804.000.12	4	QS-45	333	4



International Design Model Protection



Tube - plate



MOD 2802

304				
INDOOR	D	T		
13.2802.042.12	Ø 42,4	2	QS-47	333
13.2802.048.12	Ø 48,3	2	QS-47	333
316				
OUTDOOR	D	T		
14.2802.042.12	Ø 42,4	2	QS-45	333
14.2802.048.12	Ø 48,3	2	QS-45	333

MOD 2803

304				
INDOOR	D	T		
13.2803.042.12	Ø 42,4	3	QS-47	333
13.2803.048.12	Ø 48,3	3	QS-47	333
316				
OUTDOOR	D	T		
14.2803.042.12	Ø 42,4	3	QS-45	333
14.2803.048.12	Ø 48,3	3	QS-45	333

MOD 2804

304				
INDOOR	D	T		
13.2804.042.12	Ø 42,4	4	QS-47	333
13.2804.048.12	Ø 48,3	4	QS-47	333
316				
OUTDOOR	D	T		
14.2804.042.12	Ø 42,4	4	QS-45	333
14.2804.048.12	Ø 48,3	4	QS-45	333



International Design Model Protection

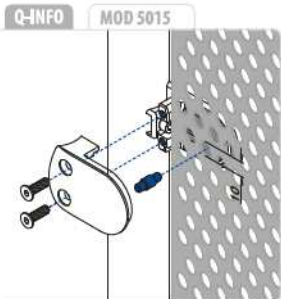
Accessories

Security pins for plate adapters



MOD 5015

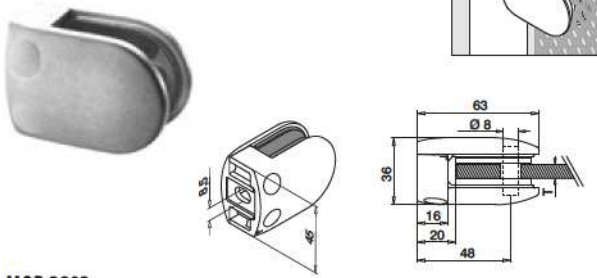
Accessories			
	For MOD	L	
19.5015.022.00	2802, 2803, 2804	22	4



Please order security pins and fixing bolts separately.

## Q-LINE - Plate adapters

Flat



## MOD 2802

Zinc			
INDOOR	T		
10.2802.000...	2	QS-46 333	4

## MOD 2803

Zinc			
INDOOR	T		
10.2803.000...	3	QS-46 333	4

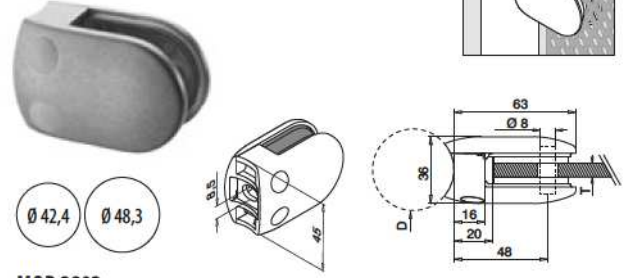
## MOD 2804

Zinc			
INDOOR	T		
10.2804.000...	4	QS-46 333	4



International Design Model Protection

Tube



## MOD 2802

Zinc				
INDOOR	D	T		
10.2802.042...	Ø 42,4	2	QS-46 333	4
10.2802.048...	Ø 48,3	2	QS-46 333	4

## MOD 2803

Zinc				
INDOOR	D	T		
10.2803.042...	Ø 42,4	3	QS-46 333	4
10.2803.048...	Ø 48,3	3	QS-46 333	4

## MOD 2804

Zinc				
INDOOR	D	T		
10.2804.042...	Ø 42,4	4	QS-46 333	4
10.2804.048...	Ø 48,3	4	QS-46 333	4



International Design Model Protection

Accessories

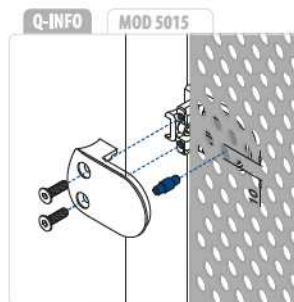
## Security pins for plate adapters



## MOD 5015

Accessories			
	For MOD	L	
19.5015.022.00	2802, 2803, 2804	22	4

Flat



Q-INFO	Zinc	MOD 280x Finishes	
Raw	Matt chrome	Chrome plated	Stainless steel effect
10.28.....00	10.28.....16	10.28.....17	10.28.....19

Tube

Please order security pins and fixing bolts separately.

Q-INFO	Zinc	MOD 280x Finishes	
Raw	Chrome plated	Stainless steel effect	
10.28.....00	10.28.....17	10.28.....19	