



GLASS INFILL
HOLDERS

3

CREATE THE MOST BEAUTIFUL BALUSTRADES USING A COMBINATION OF GLASS AND STEEL

Sleek but safe, safe, safe. BS- DIN EN 12600 approved.

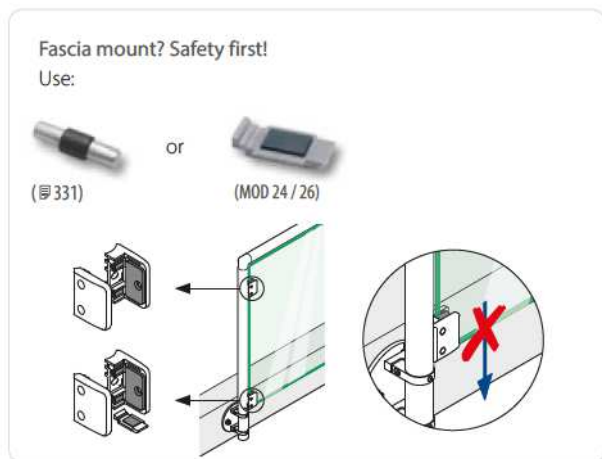
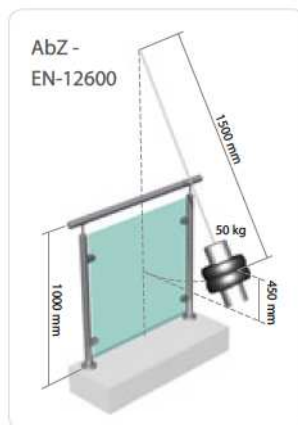
If you're combining glass and steel, you can choose from our wide range of glass fixings, with options available to fit every railing project imaginable. From brushed or polished stainless steel to raw uncoated zintec or matt chromium-plated and powder-coated zintec, our designs and coatings give a sleek and unique finish.

Of course, regardless of how attractive they are, the primary purpose of railings is safety. We're committed to meeting all of the stringent requirements and legislation in our field for every product we sell. Our professional glass clamp system, for example, is secure as well as great looking. We care about safety and that's one of the reasons why thousands of professionals choose Q-railing every day.

Glass clamps: safety first!

It goes without saying that balustrades that are partly composed of glass must never be allowed to break, even under the most extreme strain such as a dynamic force of 50 kg (DIN/EN12600 standard). Q-railing's glass clamps for both mono and laminated glass from 8 mm to 17,52 mm have been tested and approved to this level.

On the basis of the DIN/EN 12600 standard, our glass clamps have also been approved by the DIBt and obtained the German AbZ, the highest-level federal bureau for supervision in construction. The indoor tests were carried out by the Technical University of Munich, the outdoor tests by the Engineering consultancy of Dr. Roland Ondra and the LGA in Wurzburg. The test results on the following pages will provide you with a clear guideline of which glass clamps you should use for the glass panels in question.



INDEX

GLASS INFILL HOLDERS



292 - 316
Glass clamps



317
Glass holders



319
Glass connectors



320 - 321
Hinges and door locks



322 - 324
Glass adapters
Spider



326
Glass adapters
Ø 25 mm



325
Glass adapters
Ø 30 mm



326
Glass adapters
Ø 50 mm

Glass clamps

		Glass thickness (mm)				Glass thickness (mm)								
MOD 20	292	6	8			6,76								
MOD 21	294	6	8	10		6,76	8,76	9,52						
MOD 22	296	6	8	10		6,76	8,38	8,76	9,52					
MOD 24	298			12	15				9,52	11,52	12,76	13,52	16,76	17,52
MOD 25	300			12						10,76	11,52	12,76		
MOD 26	304	MONO	8	10	12	LAM.	8,76	9,52	10,76	11,52	12,76			
MOD 27	306	MONO	10			LAM.	8,76	9,52	10,76					
MOD 28	310		6	8	10	12	6,76	8,38	8,76	9,52	10,76	11,52	12,76	
MOD 29	314		8	10	12		8,76	9,52	10,76	11,52	12,76	13,52		
MOD 44/46	312		8	10	12		8,76		10,76		12,76			
MOD 51/52	316		8	10	12		8,76		10,76		12,76			
MOD 55	317		8	10	12		8,76	9,52	10,76	11,52	12,76	13,52		

Glass connectors

		Glass thickness (mm)				Glass thickness (mm)				
MOD 22	319	MONO	6	8	10	LAM.	6,76	8,38	8,76	9,52

Hinges and door locks

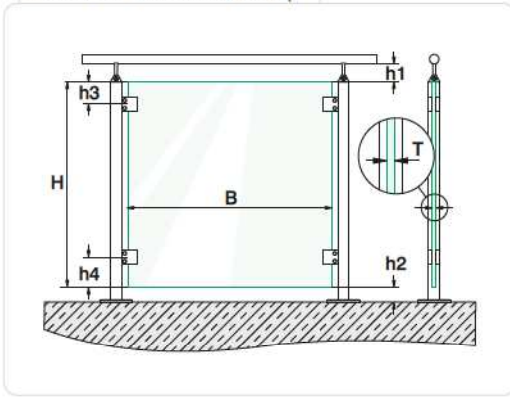
		Glass thickness (mm)				Glass thickness (mm)								
MOD 0281	320	MONO	6	8	10	12	LAM.	6,76	8,38	8,76	9,52	10,76	11,52	12,76
MOD 0282	320	MONO	6	8	10	12	LAM.	6,76	8,38	8,76	9,52	10,76	11,52	12,76

Glass adapters Ø 50 mm

		Glass thickness (mm)				Glass thickness (mm)											
MOD 4752	322		8	10	12		8,38	8,76	9,52	10,76	11,52	12,76	13,52				
MOD 4753	322		8	10	12		8,38	8,76	9,52	10,76	11,52	12,76	13,52				
MOD 0750	323		8	10	12		8,38	8,76	9,52	10,76	11,52	12,76	13,52				
MOD 0751	323		8	10	12		8,38	8,76	9,52	10,76	11,52	12,76	13,52				
MOD 0752	323	MONO	8	10	12	LAM.	8,38	8,76	9,52	10,76	11,52	12,76	13,52				
MOD 0753	323	MONO	8	10	12	LAM.	8,38	8,76	9,52	10,76	11,52	12,76	13,52				
MOD 0754	324		8	10	12	15	16	8,38	8,76	9,52	10,76	11,52	12,76	13,52			
MOD 0746 (Ø 25)	326		6	8	10	12		6,76	8,38	8,76	9,52	10,76	11,52				
MOD 0746 (Ø 30)	325		6	8	10	12	15	16	6,76	8,38	8,76	9,52	10,76	11,52	12,76	13,52	
MOD 0747 (Ø 50)	326		8	10	12	15	16	18	8,38	8,76	9,52	10,76	11,52	12,76	13,52	16,76	17,52

Glass clamps - EN-12600 - Test results (top mount)

MOD 20 / 21 / 22 / 24 / 25 / 26 Test setup



Dimensions (mm)	min.	max.
B Glass width	500	See table
T Glass thickness	See table	See table
H Glass height	800	1000
h1 Handrail - top glass panel	10	50 without edge protection 120 with edge protection
h2 Floor - base glass panel	10	50 without edge protection 120 with edge protection
h3 Top glass panel - upper glass clamp	100	150
h4 Lower glass clamp - base glass panel	100	150

INDOOR

Glass clamps without security pin and without security plate.

MOD 20

Zinc

316

Flat or tube
Ø 33,7 mm
Ø 42,4 mm

Glass type	Mono / ESG-H*
T (mm)	8
W _{max} (mm)	500 - 1200

MOD 21

Zinc

316

Flat or tube
Ø 42,4 mm

Glass type	VSG / ESG*	
T (mm)	8,76	9,52
W _{max} (mm)	500 - 1200	500 - 1200

MOD 22

Zinc

316

Flat or tube
Ø 42,4 mm
Ø 48,3 mm

Glass type	VSG / TVG*		VSG / ESG*		Mono / ESG-H*	
T (mm)	8,76	9,52	8,76	9,52	8	10
W _{max} (mm)	500 - 1500	500 - 1500	500 - 1500	500 - 1500	500 - 1500	500 - 1500

MOD 24

Zinc

316

Flat or tube
Ø 48,3 mm

Glass type	VSG / SPG*				VSG / TVG*				VSG / ESG*				Mono / ESG-H*	
T (mm)	12,76	13,52	16,76	17,52	12,76	13,52	16,76	17,52	12,76	13,52	16,76	17,52	12	16
W _{max} (mm)	500 - 1500	500 - 1500	500 - 1500	500 - 1500	500 - 1500	500 - 1500	500 - 1500	500 - 1500	500 - 1600	500 - 1600	500 - 1600	500 - 1600	500 - 1600	500 - 1600

MOD 25

Zinc

316

Flat or tube
Ø 42,4 mm
Ø 48,3 mm

Glass type	VSG / TVG*			VSG / ESG*			Mono / ESG-H*
T (mm)	10,76	11,52	12,76	10,76	11,52	12,76	12
W _{max} (mm)	500 - 1500	500 - 1500	500 - 1500	500 - 1500	500 - 1500	500 - 1500	500 - 1500

MOD 26

Zinc

316

Flat or tube
Ø 42,4 mm
Ø 48,3 mm

Glass type	VSG / TVG*					VSG / ESG*					Mono / ESG-H*		
T (mm)	8,76	9,52	10,76	11,52	12,76	8,76	9,52	10,76	11,52	12,76	8	10	12
W _{max} (mm)	500 - 1400	500 - 1400	500 - 1600	500 - 1600	500 - 1600	500 - 1400	500 - 1400	500 - 1600	500 - 1600	500 - 1600	500 - 1400	500 - 1600	500 - 1600

* VSG: Laminated glass
Mono: Single Panel glass

SPG: Float/Annealed glass
TVG: Heat strengthened glass

ESG: Toughened glass
ESG-H: Heat Soaked Toughened glass



OUTDOOR

Possible glass width for outdoor use depending on wind factor, glass type and glass thickness without security pin and without security plate.

MOD 22

316



Flat or tube
Ø 42,4 mm
Ø 48,3 mm

F (Force)	Glass type	VSG / TVG*		VSG / ESG*		Mono / ESG-H*	
	T (mm)	8,76	9,52	8,76	9,52	8	10
2,20 kN/m ²	W _{max} (mm)					800	800
1,60 kN/m ²						500	500
1,40 kN/m ²						500	500
1,04 kN/m ²		500	500	800	800	1400	1500
1,00 kN/m ²		500	500	1000	1000	1400	1500
0,64 kN/m ²		800	800	1200	1200	1500	1500

MOD 24

316



Flat or tube
Ø 48,3 mm

F (Force)	Glass type	VSG / SPG*				VSG / TVG*				VSG / ESG*				Mono / ESG-H*	
	T (mm)	12,76	13,52	16,76	17,52	12,76	13,52	16,76	17,52	12,76	13,52	16,76	17,52	12	16
2,20 kN/m ²	W _{max} (mm)	500	500	800	800	500	500	1000	1000	1000	1000	1200	1200	1400	1600
1,60 kN/m ²		500	500	1000	1000	800	800	1200	1200	1200	1200	1500	1500	1600	1600
1,40 kN/m ²		800	800	1000	1000	800	800	1200	1200	1200	1200	1600	1600	1600	1600
1,04 kN/m ²		800	800	1200	1200	1000	1000	1500	1500	1400	1400	1600	1600	1600	1600
1,00 kN/m ²		1000	1000	1200	1200	1000	1000	1500	1500	1500	1500	1600	1600	1600	1600
0,64 kN/m ²		1200	1200	1500	1500	1500	1500	1500	1500	1600	1600	1600	1600	1600	1600

MOD 25

316



Flat or tube
Ø 42,4 mm
Ø 48,3 mm

F (Force)	Glass type	VSG / TVG*			VSG / ESG*			Mono / ESG-H*
	T (mm)	10,76	11,52	12,76	10,76	11,52	12,76	12
2,20 kN/m ²	W _{max} (mm)	500	500	500	800	800	800	1400
1,60 kN/m ²		500	500	800	800	800	1200	1500
1,40 kN/m ²		500	500	800	800	800	1200	1500
1,04 kN/m ²		800	800	800	1200	1200	1400	1500
1,00 kN/m ²		800	800	800	1200	1200	1500	1500
0,64 kN/m ²		1200	1200	1200	1500	1500	1500	1500

MOD 26

316

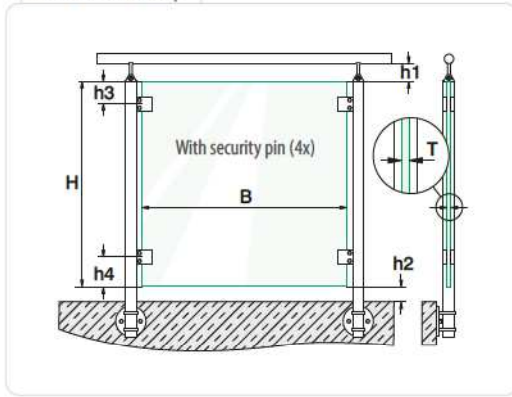


Flat or tube
Ø 42,4 mm
Ø 48,3 mm

F (Force)	Glass type	VSG / TVG*					VSG / ESG*					Mono / ESG-H*		
	T (mm)	8,76	9,52	10,76	11,52	12,76	8,76	9,52	10,76	11,52	12,76	8	10	12
2,20 kN/m ²	W _{max} (mm)						500	500	800	800	800	800	1000	1400
1,60 kN/m ²							500	500	800	800	1000	1000	1400	1400
1,40 kN/m ²							800	800	800	1000	1200	1200	1400	1400
1,04 kN/m ²		500	500	800	800	1000	800	800	1000	1000	1400	1400	1400	1400
1,00 kN/m ²		500	500	800	800	1000	800	800	1200	1200	1400	1400	1400	1400
0,64 kN/m ²		800	800	1000	1000	1200	1200	1200	1400	1400	1400	1400	1400	1400

Glass clamps - EN-12600 - Test results (fascia mount)

MOD 24 / 25 Test setup



Dimensions (mm)	min. (mm)	max. (mm)
B Glass width	500	See table
T Glass thickness	See table	See table
H Glass height	800	1000
h1 Handrail - top glass panel	10	50 without edge protection 120 with edge protection
h2 Floor - base glass panel	10	50 without edge protection 120 with edge protection
h3 Top glass panel - upper glass clamp	150	150
h4 Lower glass clamp - base glass panel	150	150

INDOOR

Glass clamps with security pin, without security plate.

MOD 24

Zinc

316

Flat or tube
Ø 48,3 mm

Glass type	VSG / ESG*				Mono / ESG-H*	
T (mm)	12,76	13,52	16,76	17,52	12	16
W _{max} (mm)	500 - 1600	500 - 1600	500 - 1600	500 - 1600	500 - 1600	500 - 1600

MOD 25

Zinc

316

Flat or tube
Ø 42,4 mm
Ø 48,3 mm

Glass type	VSG / ESG*
T (mm)	12,76
W _{max} (mm)	500 - 1600

OUTDOOR

Possible width of glass for outdoor use depending on wind factor, glass type and glass thickness with security pin, without security plate.

MOD 24

316

Flat or tube
Ø 48,3 mm

F (Force)	Glass type	VSG / ESG*				Mono / ESG-H*	
2,20 kN/m ²	T (mm)	12,76	13,52	16,76	17,52	12	16
1,60 kN/m ²	W _{max} (mm)	500	500	1000	1000	1400	1600
1,40 kN/m ²		800	800	1200	1200	1500	1600
1,04 kN/m ²		800	800	1400	1400	1600	1600
1,00 kN/m ²		1200	1200	1600	1600	1600	1600
1,00 kN/m ²		1200	1200	1600	1600	1600	1600
0,64 kN/m ²		1500	1500	1600	1600	1600	1600

MOD 25

316

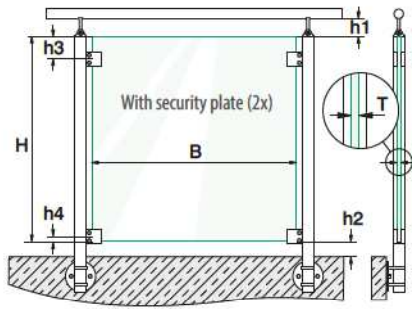
Flat or tube
Ø 42,4 mm
Ø 48,3 mm

F (Force)	Glass type	VSG / ESG*
2,20 kN/m ²	T (mm)	12,76
1,60 kN/m ²	W _{max} (mm)	800
1,40 kN/m ²		1000
1,04 kN/m ²		1000
1,00 kN/m ²		1400
1,00 kN/m ²		1400
0,64 kN/m ²		1600

* VSG: Laminated glass
Mono: Single Panel glassSPG: Float/Annealed glass
TVG: Heat strengthened glassESG: Toughened glass
ESG-H: Heat Soaked Toughened glass

Glass clamps - EN-12600 - Test results (fascia mount)

MOD 24 / 26 Test setup



Dimensions (mm)		min.	max.
B	Glass width	500	See table
T	Glass thickness	See table	See table
H	Glass height	800	1000
h1	Handrail - top glass panel	10	50 without edge protection 120 with edge protection
h2	Floor - base glass panel	10	50 without edge protection 120 with edge protection
h3	Top glass panel - upper glass clamp	100	150
h4	Lower glass clamp - base glass panel	32 (MOD 24) 21 (MOD 26)	32 (MOD 24) 21 (MOD 26)

INDOOR

Glass clamps without security pin, with security plate.

MOD 24

Zinc

316

Flat or tube
Ø 48,3 mm

Glass type	VSG / TVG*				VSG / ESG*				Mono / ESG-H*		
	T (mm)	12,76	13,52	16,76	17,52	12,76	13,52	16,76	17,52	12	16
W _{max} (mm)	500 - 1500	500 - 1500	500 - 1500	500 - 1500	500 - 1600	500 - 1600	500 - 1600	500 - 1600	500 - 1600	500 - 1600	500 - 1600

MOD 26

Zinc

316

Flat or tube
Ø 42,4 mm
Ø 48,3 mm

Glass type	VSG / ESG*					Mono / ESG-H*			
	T (mm)	8,76	9,52	10,76	11,52	12,76	8	10	12
W _{max} (mm)	500 - 1400	500 - 1400	500 - 1400	500 - 1400	500 - 1400	500 - 1400	500 - 1400	500 - 1400	500 - 1400

OUTDOOR

Possible width of glass for outdoor use depending on wind factor, glass type and glass thickness without security pin, with security plate.

MOD 24

316

Flat or tube
Ø 48,3 mm

F (Force)	Glass type	VSG / TVG*				VSG / ESG*				Mono / ESG-H*	
		T (mm)	12,76	13,52	16,76	17,52	12,76	13,52	16,76	17,52	12
2,20 kN/m ²	W _{max} (mm)	500	500	500	500	500	500	1000	1000	1400	1600
1,60 kN/m ²		500	500	800	800	800	800	1200	1200	1500	1600
1,40 kN/m ²		500	500	1000	1000	800	800	1400	1400	1600	1600
1,04 kN/m ²		800	800	1200	1200	1200	1200	1500	1500	1600	1600
1,00 kN/m ²		800	800	1200	1200	1200	1200	1500	1500	1600	1600
0,64 kN/m ²		1500	1500	1500	1500	1500	1500	1600	1600	1600	1600

MOD 26

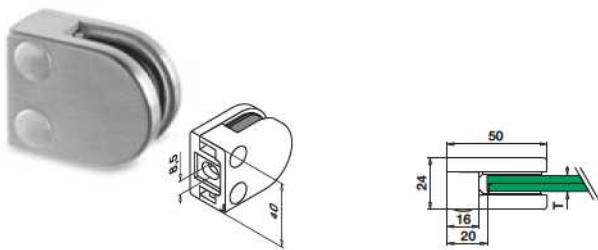
316

Flat or tube
Ø 42,4 mm
Ø 48,3 mm

F (Force)	Glass type	VSG / ESG*					Mono / ESG-H*			
		T (mm)	8,76	9,52	10,76	11,52	12,76	8	10	12
2,20 kN/m ²	W _{max} (mm)	500	500	800	800	800	800	800	1000	1400
1,60 kN/m ²		800	800	800	800	800	1000	1000	1400	1400
1,40 kN/m ²		800	800	1000	1000	1000	1200	1200	1400	1400
1,04 kN/m ²		800	800	1000	1000	1400	1400	1400	1400	1400
1,00 kN/m ²		800	800	1200	1200	1400	1400	1400	1400	1400
0,64 kN/m ²		1200	1200	1400	1400	1400	1400	1400	1400	1400

* VSG: Laminated glass
Mono: Single Panel glassSPG: Float/Annealed glass
TVG: Heat strengthened glassESG: Toughened glass
ESG-H: Heat Soaked Toughened glass

Flat



MOD 20

MONO	304				
	INDOOR	T			
13.2006.000.12		6	QS-47	333	4
13.2008.000.12		8	QS-47	333	4

LAM.	304				
	INDOOR	T			
13.2007.000.12		6,76 (3 - 0,76 - 3)	QS-47	333	4

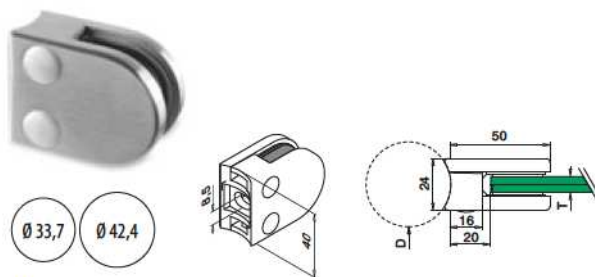
MONO	316				
	OUTDOOR	T			
14.2006.000.12		6	QS-45	333	4
14.2008.000.12		8	QS-45	333	4

LAM.	316				
	OUTDOOR	T			
14.2007.000.12		6,76 (3 - 0,76 - 3)	QS-45	333	4



MOD 20 tested for INDOOR

Tube



MOD 20

MONO	304				
	INDOOR	D	T		
13.2006.033.12		Ø 33,7	6	QS-47	333 4
13.2008.033.12		Ø 33,7	8	QS-47	333 4
13.2006.042.12		Ø 42,4	6	QS-47	333 4
13.2008.042.12		Ø 42,4	8	QS-47	333 4

LAM.	304				
	INDOOR	D	T		
13.2007.033.12		Ø 33,7	6,76 (3 - 0,76 - 3)	QS-47	333 4
13.2007.042.12		Ø 42,4	6,76 (3 - 0,76 - 3)	QS-47	333 4

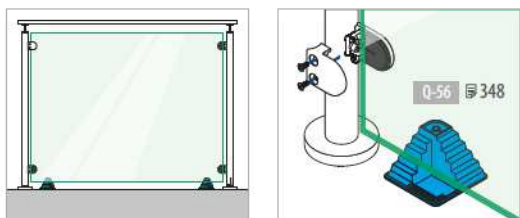
MONO	316				
	OUTDOOR	D	T		
14.2006.033.12		Ø 33,7	6	QS-45	333 4
14.2008.033.12		Ø 33,7	8	QS-45	333 4
14.2006.042.12		Ø 42,4	6	QS-45	333 4
14.2008.042.12		Ø 42,4	8	QS-45	333 4

LAM.	316				
	OUTDOOR	D	T		
14.2007.033.12		Ø 33,7	6,76 (3 - 0,76 - 3)	QS-45	333 4
14.2007.042.12		Ø 42,4	6,76 (3 - 0,76 - 3)	QS-45	333 4



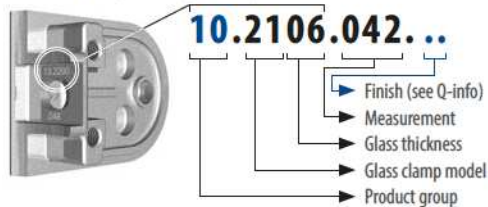
MOD 20 tested for INDOOR

Q-INFO MOD 0715



Q-INFO

Article number-system for glass clamps



Please order fixing bolts separately.

Q-INFO

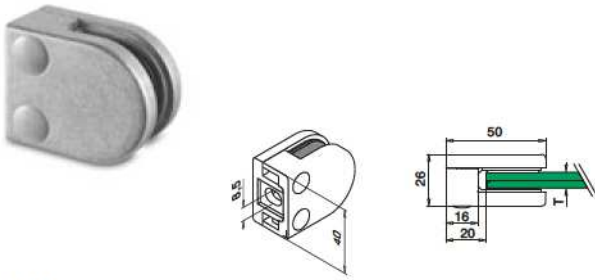


Q-INFO



Glass clamps - MOD 20

Flat



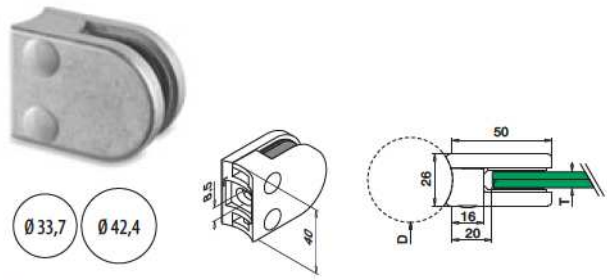
MOD 20

Zinc		T		
INDOOR				
10.2006.000...	6	QS-46	333	4
10.2008.000...	8	QS-46	333	4

Zinc		T		
INDOOR				
10.2007.000...	6,76 (3 - 0,76 - 3)	QS-46	333	4



Tube



MOD 20

Zinc		D	T		
INDOOR					
10.2006.033...	Ø 33,7	6	QS-46	333	4
10.2008.033...	Ø 33,7	8	QS-46	333	4
10.2006.042...	Ø 42,4	6	QS-46	333	4
10.2008.042...	Ø 42,4	8	QS-46	333	4

Zinc		D	T		
INDOOR					
10.2007.033...	Ø 33,7	6,76 (3 - 0,76 - 3)	QS-46	333	4
10.2007.042...	Ø 42,4	6,76 (3 - 0,76 - 3)	QS-46	333	4



Flat

Q-INFO

Zinc

MOD 20 Finishes

Raw

Matt chrome

Chrome plated

Stainless steel effect



10.20...000.00



10.20...000.16



10.20...000.17



10.20...000.19

Black
RAL 9005



10.20...000.31

White
RAL 9016



10.20...000.32

Aluminium
white RAL 9006



10.20...000.36

Please order fixing bolts separately.

Tube

Q-INFO

Zinc

MOD 20 Finishes

Raw

Chrome plated

Stainless steel effect



10.20.....00

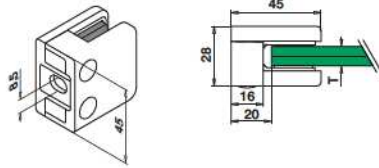


10.20.....17



10.20.....19

Flat



MOD 21

MONO	304		T		
INDOOR					
	13.2106.000.12		6	QS-47	333
	13.2108.000.12		8	QS-47	333
	13.2110.000.12		10	QS-47	333

LAM.	304		T		
INDOOR					
	13.2107.000.12	6,76 (3 - 0,76 - 3)		QS-47	333
	13.2109.000.12	8,76 (4 - 0,76 - 4)		QS-47	333
	13.2144.000.12	9,52 (4 - 1,52 - 4)		QS-47	333

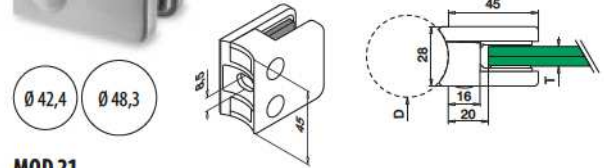
MONO	316		T		
OUTDOOR					
	14.2106.000.12		6	QS-45	333
	14.2108.000.12		8	QS-45	333
	14.2110.000.12		10	QS-45	333

LAM.	316		T		
OUTDOOR					
	14.2107.000.12	6,76 (3 - 0,76 - 3)		QS-45	333
	14.2109.000.12	8,76 (4 - 0,76 - 4)		QS-45	333
	14.2144.000.12	9,52 (4 - 1,52 - 4)		QS-45	333



MOD 21 tested for INDOOR

Tube



MOD 21

MONO	304		D	T		
INDOOR						
	13.2106.042.12		Ø 42,4	6	QS-47	333
	13.2108.042.12		Ø 42,4	8	QS-47	333
	13.2110.042.12		Ø 42,4	10	QS-47	333
	13.2106.048.12		Ø 48,3	6	QS-47	333
	13.2108.048.12		Ø 48,3	8	QS-47	333
	13.2110.048.12		Ø 48,3	10	QS-47	333

LAM.	304		D	T		
INDOOR						
	13.2107.042.12	Ø 42,4	6,76 (3 - 0,76 - 3)		QS-47	333
	13.2109.042.12	Ø 42,4	8,76 (4 - 0,76 - 4)		QS-47	333
	13.2144.042.12	Ø 42,4	9,52 (4 - 1,52 - 4)		QS-47	333
	13.2109.048.12	Ø 48,3	8,76 (4 - 0,76 - 4)		QS-47	333

MONO	316		D	T		
OUTDOOR						
	14.2106.042.12	Ø 42,4	6		QS-45	333
	14.2108.042.12	Ø 42,4	8		QS-45	333
	14.2110.042.12	Ø 42,4	10		QS-45	333
	14.2106.048.12	Ø 48,3	6		QS-45	333
	14.2108.048.12	Ø 48,3	8		QS-45	333
	14.2110.048.12	Ø 48,3	10		QS-45	333

LAM.	316		D	T		
OUTDOOR						
	14.2107.042.12	Ø 42,4	6,76 (3 - 0,76 - 3)		QS-45	333
	14.2109.042.12	Ø 42,4	8,76 (4 - 0,76 - 4)		QS-45	333
	14.2144.042.12	Ø 42,4	9,52 (4 - 1,52 - 4)		QS-45	333
	14.2109.048.12	Ø 48,3	8,76 (4 - 0,76 - 4)		QS-45	333



MOD 21 tested for INDOOR

Q-INFO



Q-23
Q-cleaner
300 ml
19.0601.000.00

Q-INFO

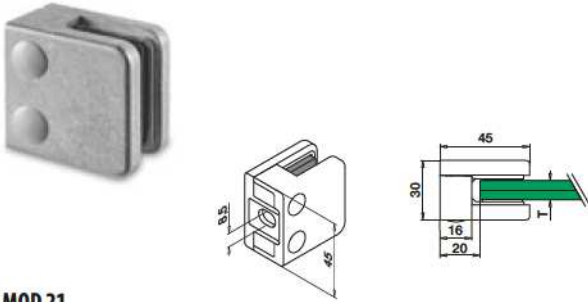


Q-22
Q-ultra-clean
500 ml
19.0610.000.00

Please order fixing bolts separately.

Glass clamps - MOD 21

Flat



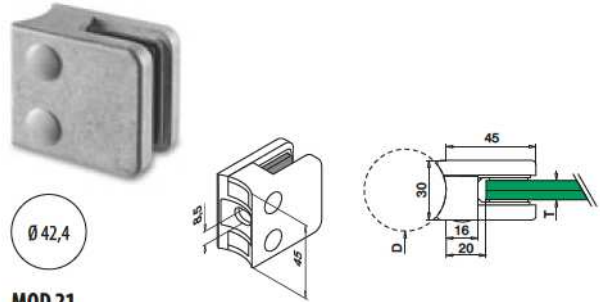
MOD 21

Zinc				
MONO	INDOOR	T		
	10.2106.000...	6	QS-46 333	4
	10.2108.000...	8	QS-46 333	4
	10.2110.000...	10	QS-46 333	4

Zinc				
LAM.	INDOOR	T		
	10.2107.000...	6,76 (3 - 0,76 - 3)	QS-46 333	4
	10.2109.000...	8,76 (4 - 0,76 - 4)	QS-46 333	4
	10.2144.000...	9,52 (4 - 1,52 - 4)	QS-46 333	4



Tube



MOD 21

Zinc				
MONO	INDOOR	D	T	
	10.2106.042...	Ø 42,4	6	QS-46 333 4
	10.2108.042...	Ø 42,4	8	QS-46 333 4
	10.2110.042...	Ø 42,4	10	QS-46 333 4

Zinc				
LAM.	INDOOR	D	T	
	10.2107.042...	Ø 42,4	6,76 (3 - 0,76 - 3)	QS-46 333 4
	10.2109.042...	Ø 42,4	8,76 (4 - 0,76 - 4)	QS-46 333 4
	10.2144.042...	Ø 42,4	9,52 (4 - 1,52 - 4)	QS-46 333 4



Please order fixing bolts separately.

Flat

Q-INFO Zinc MOD 21 Finishes



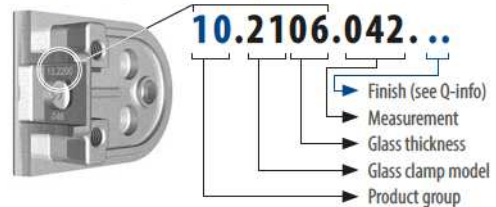
Tube

Q-INFO Zinc MOD 21 Finishes

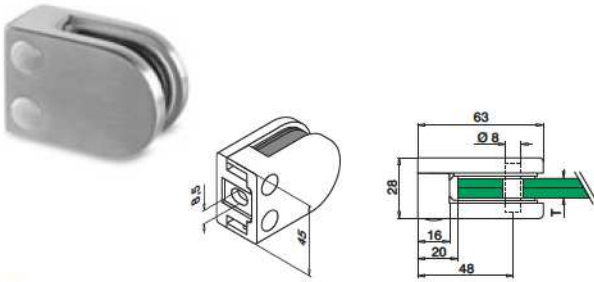


Q-INFO

Article number-system for glass clamps



Flat



MOD 22

MONO	304	INDOOR	T		
		13.2206.000...	6	QS-47	333 4
		13.2208.000...	8	QS-47	333 4
		13.2210.000...	10	QS-47	333 4

LAM.	304	INDOOR	T		
		13.2207.000...	6,76 (3 - 0,76 - 3)	QS-47	333 4
		13.2241.000...	8,38 (4 - 0,38 - 4)	QS-47	333 4
		13.2209.000...	8,76 (4 - 0,76 - 4)	QS-47	333 4
		13.2244.000...	9,52 (4 - 1,52 - 4)	QS-47	333 4



MOD 22

MONO	316	OUTDOOR	T		
		14.2206.000...	6	QS-45	333 4
		14.2208.000...	8	QS-45	333 4
		14.2210.000...	10	QS-45	333 4

LAM.	316	OUTDOOR	T		
		14.2207.000...	6,76 (3 - 0,76 - 3)	QS-45	333 4
		14.2241.000...	8,38 (4 - 0,38 - 4)	QS-45	333 4
		14.2209.000...	8,76 (4 - 0,76 - 4)	QS-45	333 4
		14.2244.000...	9,52 (4 - 1,52 - 4)	QS-45	333 4



Please order security pins and fixing bolts separately.

Flat

Q-INFO 304 MOD 22 Finishes

Satin

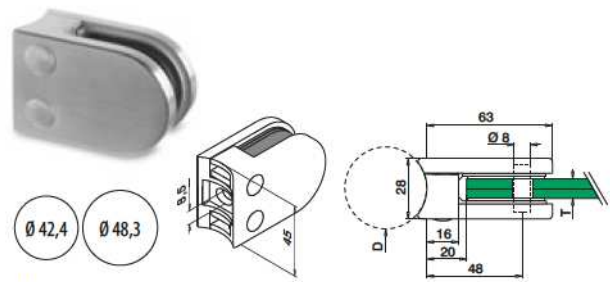
Polished



13.22.....12

13.22.....10

Tube



MOD 22

MONO	304	INDOOR	D	T		
		13.2206.042...	Ø 42,4	6	QS-47	333 4
		13.2208.042...	Ø 42,4	8	QS-47	333 4
		13.2210.042...	Ø 42,4	10	QS-47	333 4
		13.2206.048...	Ø 48,3	6	QS-47	333 4
		13.2208.048...	Ø 48,3	8	QS-47	333 4
		13.2210.048...	Ø 48,3	10	QS-47	333 4

LAM.	304	INDOOR	D	T		
		13.2207.042...	Ø 42,4	6,76 (3 - 0,76 - 3)	QS-47	333 4
		13.2241.042...	Ø 42,4	8,38 (4 - 0,38 - 4)	QS-47	333 4
		13.2209.042...	Ø 42,4	8,76 (4 - 0,76 - 4)	QS-47	333 4
		13.2244.042...	Ø 42,4	9,52 (4 - 1,52 - 4)	QS-47	333 4
		13.2207.048...	Ø 48,3	6,76 (3 - 0,76 - 3)	QS-47	333 4
		13.2241.048...	Ø 48,3	8,38 (4 - 0,38 - 4)	QS-47	333 4
		13.2209.048...	Ø 48,3	8,76 (4 - 0,76 - 4)	QS-47	333 4
		13.2244.048...	Ø 48,3	9,52 (4 - 1,52 - 4)	QS-47	333 4



MOD 22

MONO	316	OUTDOOR	D	T		
		14.2206.042...	Ø 42,4	6	QS-45	333 4
		14.2208.042...	Ø 42,4	8	QS-45	333 4
		14.2210.042...	Ø 42,4	10	QS-45	333 4
		14.2206.048...	Ø 48,3	6	QS-45	333 4
		14.2208.048...	Ø 48,3	8	QS-45	333 4
		14.2210.048...	Ø 48,3	10	QS-45	333 4

LAM.	316	OUTDOOR	D	T		
		14.2207.042...	Ø 42,4	6,76 (3 - 0,76 - 3)	QS-45	333 4
		14.2241.042...	Ø 42,4	8,38 (4 - 0,38 - 4)	QS-45	333 4
		14.2209.042...	Ø 42,4	8,76 (4 - 0,76 - 4)	QS-45	333 4
		14.2244.042...	Ø 42,4	9,52 (4 - 1,52 - 4)	QS-45	333 4
		14.2207.048...	Ø 48,3	6,76 (3 - 0,76 - 3)	QS-45	333 4
		14.2241.048...	Ø 48,3	8,38 (4 - 0,38 - 4)	QS-45	333 4
		14.2209.048...	Ø 48,3	8,76 (4 - 0,76 - 4)	QS-45	333 4
		14.2244.048...	Ø 48,3	9,52 (4 - 1,52 - 4)	QS-45	333 4



Q-INFO 316 MOD 22 Finishes

Satin

Polished

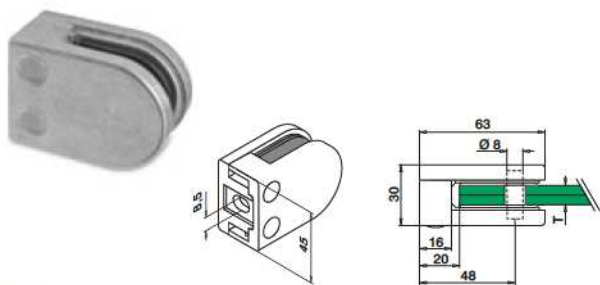


14.22.....12

14.22.....10

Glass clamps - MOD 22

Flat



MOD 22

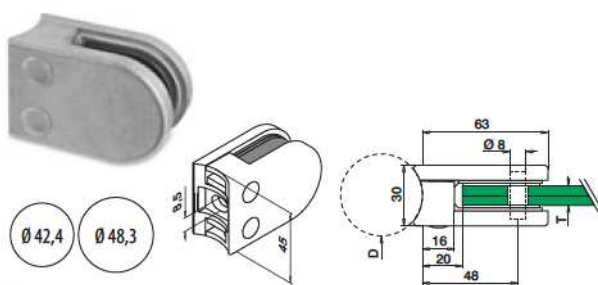
MONO	Zinc		T	Ø	333	4
	INDOOR					
	10.2206.000...		6	Ø 16	333	4
	10.2208.000...		8	Ø 16	333	4
	10.2210.000...		10	Ø 16	333	4

LAM.	Zinc		T	Ø	333	4
	INDOOR					
	10.2207.000...	6,76 (3 - 0,76 - 3)		Ø 16	333	4
	10.2241.000...	8,38 (4 - 0,38 - 4)		Ø 16	333	4
	10.2209.000...	8,76 (4 - 0,76 - 4)		Ø 16	333	4
	10.2244.000...	9,52 (4 - 1,52 - 4)		Ø 16	333	4



If you have a specific requirement for pre-assembled products please use our order forms on pages 354 - 368.

Tube



MOD 22

MONO	Zinc		T	Ø	333	4
	INDOOR	D				
	10.2206.042...	Ø 42,4	6	Ø 16	333	4
	10.2208.042...	Ø 42,4	8	Ø 16	333	4
	10.2210.042...	Ø 42,4	10	Ø 16	333	4
	10.2206.048...	Ø 48,3	6	Ø 16	333	4
	10.2208.048...	Ø 48,3	8	Ø 16	333	4
	10.2210.048...	Ø 48,3	10	Ø 16	333	4

LAM.	Zinc		T	Ø	333	4
	INDOOR	D				
	10.2207.042...	Ø 42,4	6,76 (3 - 0,76 - 3)	Ø 16	333	4
	10.2241.042...	Ø 42,4	8,38 (4 - 0,38 - 4)	Ø 16	333	4
	10.2209.042...	Ø 42,4	8,76 (4 - 0,76 - 4)	Ø 16	333	4
	10.2244.042...	Ø 42,4	9,52 (4 - 1,52 - 4)	Ø 16	333	4
	10.2207.048...	Ø 48,3	6,76 (3 - 0,76 - 3)	Ø 16	333	4
	10.2241.048...	Ø 48,3	8,38 (4 - 0,38 - 4)	Ø 16	333	4
	10.2209.048...	Ø 48,3	8,76 (4 - 0,76 - 4)	Ø 16	333	4
	10.2244.048...	Ø 48,3	9,52 (4 - 1,52 - 4)	Ø 16	333	4



Please order security pins and fixing bolts separately.

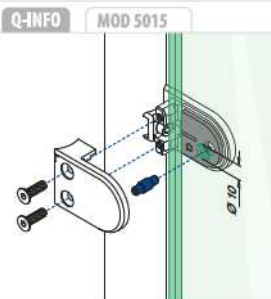
Flat

Q-INFO Zinc MOD 22 Finishes

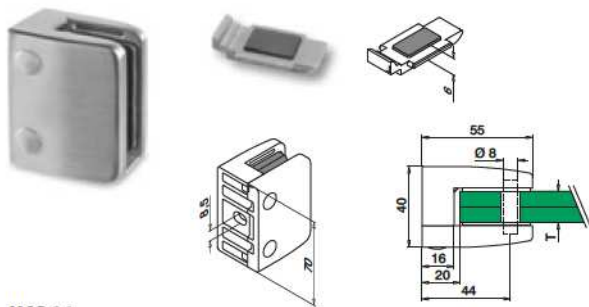


Tube

Q-INFO Zinc MOD 22 Finishes



Flat



MOD 24

MONO	304	INDOOR	T		
		13.2412.000.12	12	QS-47	333 4
		13.2415.000.12	15	QS-47	333 4

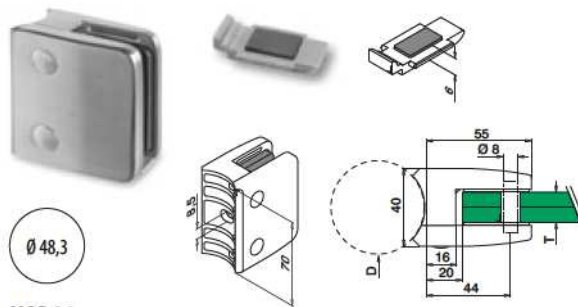
LAM.	304	INDOOR	T		
		13.2444.000.12	9,52 (4 - 1,52 - 4)	QS-47	333 4
		13.2454.000.12	11,52 (5 - 1,52 - 5)	QS-47	333 4
		13.2413.000.12	12,76 (6 - 0,76 - 6)	QS-47	333 4
		13.2464.000.12	13,52 (6 - 1,52 - 6)	QS-47	333 4
		13.2417.000.12	16,76 (8 - 0,76 - 8)	QS-47	333 4
		13.2418.000.12	17,52 (8 - 1,52 - 8)	QS-47	333 4

MONO	316	OUTDOOR	T		
		14.2412.000.12	12	QS-45	333 4
		14.2415.000.12	15	QS-45	333 4

LAM.	316	OUTDOOR	T		
		14.2444.000.12	9,52 (4 - 1,52 - 4)	QS-45	333 4
		14.2454.000.12	11,52 (5 - 1,52 - 5)	QS-45	333 4
		14.2413.000.12	12,76 (6 - 0,76 - 6)	QS-45	333 4
		14.2464.000.12	13,52 (6 - 1,52 - 6)	QS-45	333 4
		14.2417.000.12	16,76 (8 - 0,76 - 8)	QS-45	333 4
		14.2418.000.12	17,52 (8 - 1,52 - 8)	QS-45	333 4



Tube



MOD 24

MONO	304	INDOOR	D	T		
		13.2412.048.12	Ø 48,3	12	QS-47	333 4
		13.2415.048.12	Ø 48,3	15	QS-47	333 4

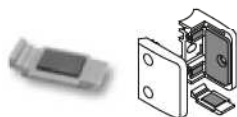
LAM.	304	INDOOR	D	T		
		13.2444.048.12	Ø 48,3	9,52 (4 - 1,52 - 4)	QS-47	333 4
		13.2454.048.12	Ø 48,3	11,52 (5 - 1,52 - 5)	QS-47	333 4
		13.2413.048.12	Ø 48,3	12,76 (6 - 0,76 - 6)	QS-47	333 4
		13.2464.048.12	Ø 48,3	13,52 (6 - 1,52 - 6)	QS-47	333 4
		13.2417.048.12	Ø 48,3	16,76 (8 - 0,76 - 8)	QS-47	333 4
		13.2418.048.12	Ø 48,3	17,52 (8 - 1,52 - 8)	QS-47	333 4

MONO	316	OUTDOOR	D	T		
		14.2412.048.12	Ø 48,3	12	QS-45	333 4
		14.2415.048.12	Ø 48,3	15	QS-45	333 4

LAM.	316	OUTDOOR	D	T		
		14.2444.048.12	Ø 48,3	9,52 (4 - 1,52 - 4)	QS-45	333 4
		14.2454.048.12	Ø 48,3	11,52 (5 - 1,52 - 5)	QS-45	333 4
		14.2413.048.12	Ø 48,3	12,76 (6 - 0,76 - 6)	QS-45	333 4
		14.2464.048.12	Ø 48,3	13,52 (6 - 1,52 - 6)	QS-45	333 4
		14.2417.048.12	Ø 48,3	16,76 (8 - 0,76 - 8)	QS-45	333 4
		14.2418.048.12	Ø 48,3	17,52 (8 - 1,52 - 8)	QS-45	333 4



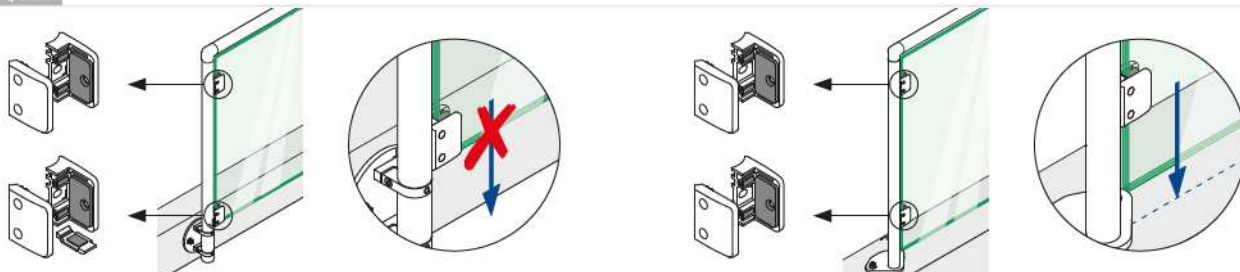
Q-INFO



Insert the security plate into the glass clamp instead of using a security pin. Your costs are reduced because drilling the glass is not required.

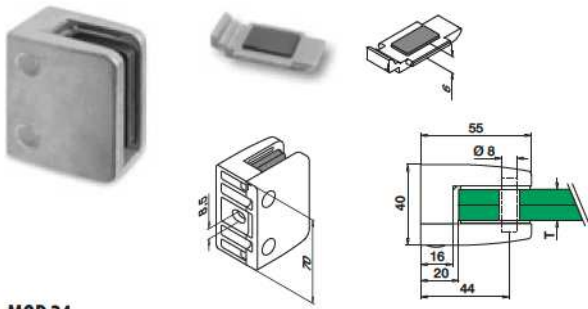
Please order security pins and fixing bolts separately.

Q-INFO



Glass clamps - MOD 24

Flat



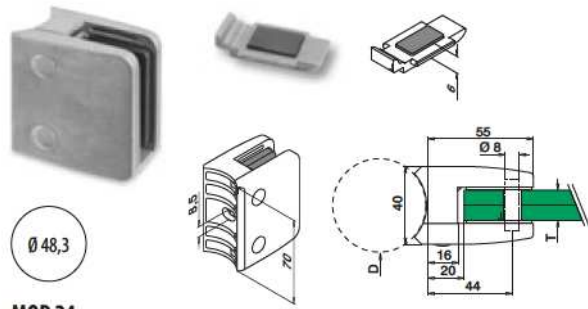
MOD 24

MONO	Zinc		Screw	Box	
	INDOOR	T			
10.2412.000...		12	QS-46	333	4
10.2415.000...		15	QS-46	333	4

LAM.	Zinc		Screw	Box	
	INDOOR	T			
10.2444.000...	9,52 (4 - 1,52 - 4)		QS-46	333	4
10.2454.000...	11,52 (5 - 1,52 - 5)		QS-46	333	4
10.2413.000...	12,76 (6 - 0,76 - 6)		QS-46	333	4
10.2464.000...	13,52 (6 - 1,52 - 6)		QS-46	333	4
10.2417.000...	16,76 (8 - 0,76 - 8)		QS-46	333	4
10.2418.000...	17,52 (8 - 1,52 - 8)		QS-46	333	4



Tube



MOD 24

MONO	Zinc		Screw	Box		
	INDOOR	D			T	
10.2412.048.00		Ø 48,3	12	QS-46	333	4
10.2415.048.00		Ø 48,3	15	QS-46	333	4

LAM.	Zinc		Screw	Box	
	INDOOR	D			T
10.2444.048.00	Ø 48,3	9,52 (4 - 1,52 - 4)	QS-46	333	4
10.2454.048.00	Ø 48,3	11,52 (5 - 1,52 - 5)	QS-46	333	4
10.2413.048.00	Ø 48,3	12,76 (6 - 0,76 - 6)	QS-46	333	4
10.2464.048.00	Ø 48,3	13,52 (6 - 1,52 - 6)	QS-46	333	4
10.2417.048.00	Ø 48,3	16,76 (8 - 0,76 - 8)	QS-46	333	4
10.2418.048.00	Ø 48,3	17,52 (8 - 1,52 - 8)	QS-46	333	4



Flat

Q-INFO

Zinc

MOD 24 Finishes

Raw

Stainless steel effect



10.24...000.00

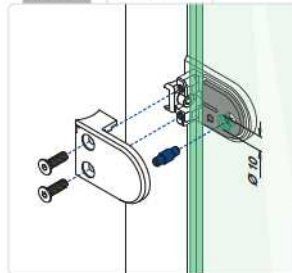


10.24...000.19

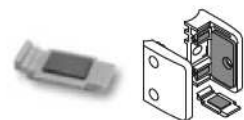
Please order security pins and fixing bolts separately.

Q-INFO

MOD 5015

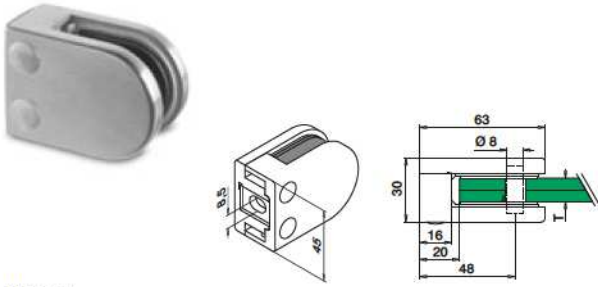


Q-INFO



Insert the security plate into the glass clamp instead of using a security pin. Your costs are reduced because drilling the glass is not required.

Flat



MOD 25

MONO	304		T		
	INDOOR				
	13.2512.000.12		12	QS-47	333 4

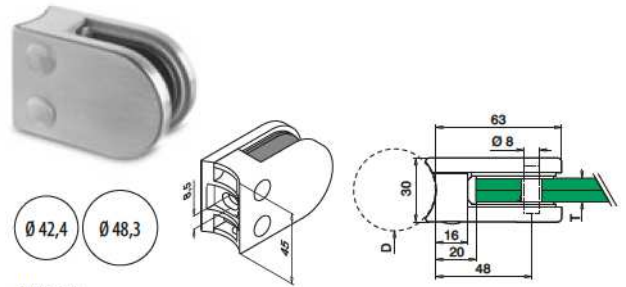
LAM.	304		T		
	INDOOR				
	13.2511.000.12	10,76 (5 - 0,76 - 5)		QS-47	333 4
	13.2554.000.12	11,52 (5 - 1,52 - 5)		QS-47	333 4
	13.2513.000.12	12,76 (6 - 0,76 - 6)		QS-47	333 4

MONO	316		T		
	OUTDOOR				
	14.2512.000.12		12	QS-45	333 4

LAM.	316		T		
	OUTDOOR				
	14.2511.000.12	10,76 (5 - 0,76 - 5)		QS-45	333 4
	14.2554.000.12	11,52 (5 - 1,52 - 5)		QS-45	333 4
	14.2513.000.12	12,76 (6 - 0,76 - 6)		QS-45	333 4



Tube



MOD 25

MONO	304		D	T		
	INDOOR					
	13.2512.042.12		Ø 42,4	12	QS-47	333 4
	13.2512.048.12		Ø 48,3	12	QS-47	333 4

LAM.	304		D	T		
	INDOOR					
	13.2511.042.12	Ø 42,4	10,76 (5 - 0,76 - 5)		QS-47	333 4
	13.2554.042.12	Ø 42,4	11,52 (5 - 1,52 - 5)		QS-47	333 4
	13.2513.042.12	Ø 42,4	12,76 (6 - 0,76 - 6)		QS-47	333 4
	13.2511.048.12	Ø 48,3	10,76 (5 - 0,76 - 5)		QS-47	333 4
	13.2554.048.12	Ø 48,3	11,52 (5 - 1,52 - 5)		QS-47	333 4
	13.2513.048.12	Ø 48,3	12,76 (6 - 0,76 - 6)		QS-47	333 4

MONO	316		D	T		
	OUTDOOR					
	14.2512.042.12	Ø 42,4	12		QS-45	333 4
	14.2512.048.12	Ø 48,3	12		QS-45	333 4

LAM.	316		D	T		
	OUTDOOR					
	14.2511.042.12	Ø 42,4	10,76 (5 - 0,76 - 5)		QS-45	333 4
	14.2554.042.12	Ø 42,4	11,52 (5 - 1,52 - 5)		QS-45	333 4
	14.2513.042.12	Ø 42,4	12,76 (6 - 0,76 - 6)		QS-45	333 4
	14.2511.048.12	Ø 48,3	10,76 (5 - 0,76 - 5)		QS-45	333 4
	14.2554.048.12	Ø 48,3	11,52 (5 - 1,52 - 5)		QS-45	333 4
	14.2513.048.12	Ø 48,3	12,76 (6 - 0,76 - 6)		QS-45	333 4



Please order security pins and fixing bolts separately.

Q-INFO



Q-23
Q-cleaner
300 ml
19.0601.000.00

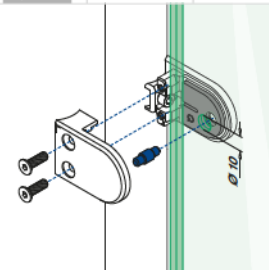
Q-INFO



Q-22
Q-ultra-clean
500 ml
19.0610.000.00

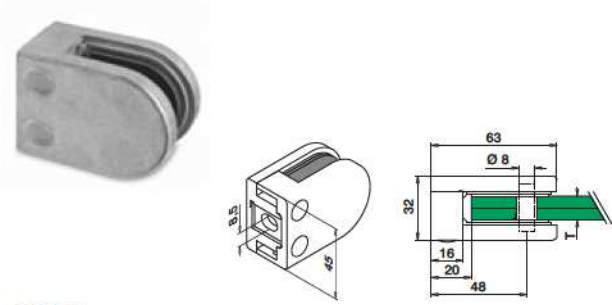
Q-INFO

MOD 5015



Glass clamps - MOD 25

Flat



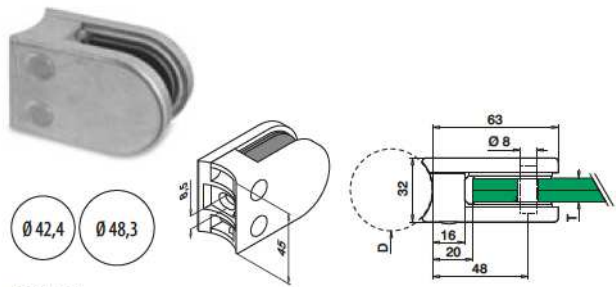
MOD 25

Zinc		T		
INDOOR				
10.2512.000...		12	QS-46 333	4

Zinc		T		
INDOOR				
10.2511.000...	10,76 (5 - 0,76 - 5)		QS-46 333	4
10.2513.000...	12,76 (6 - 0,76 - 6)		QS-46 333	4
10.2554.000...	11,52 (5 - 1,52 - 5)		QS-46 333	4



Tube



MOD 25

Zinc		D	T		
INDOOR					
10.2512.042...	Ø 42,4	12	QS-46 333	4	
10.2512.048...	Ø 48,3	12	QS-46 333	4	

Zinc		D	T		
INDOOR					
10.2511.042...	Ø 42,4	10,76 (5 - 0,76 - 5)	QS-46 333	4	
10.2513.042...	Ø 42,4	12,76 (6 - 0,76 - 6)	QS-46 333	4	
10.2554.042...	Ø 42,4	11,52 (5 - 1,52 - 5)	QS-46 333	4	
10.2511.048...	Ø 48,3	10,76 (5 - 0,76 - 5)	QS-46 333	4	
10.2513.048...	Ø 48,3	12,76 (6 - 0,76 - 6)	QS-46 333	4	
10.2554.048...	Ø 48,3	11,52 (5 - 1,52 - 5)	QS-46 333	4	



Please order security pins and fixing bolts separately.

Flat

Q-INFO

Zinc

MOD 25 Finishes

Raw

Stainless steel effect

Aluminium white RAL 9006



10.25...000.00



10.25...000.19



10.25...000.36

Tube

Q-INFO

Zinc

MOD 25 Finishes

Raw

Stainless steel effect

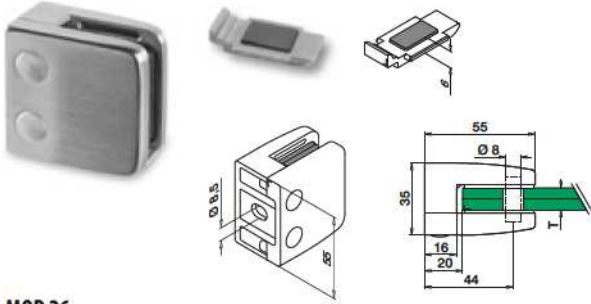


10.25.....00



10.25.....19

Flat



MOD 26



304

INDOOR	T	Q	333
13.2608.000.12	8	QS-47	333
13.2610.000.12	10	QS-47	333
13.2612.000.12	12	QS-47	333



304

INDOOR	T	Q	333
13.2609.000.12	8,76 (4 - 0,76 - 4)	QS-47	333
13.2644.000.12	9,52 (4 - 1,52 - 4)	QS-47	333
13.2611.000.12	10,76 (5 - 0,76 - 5)	QS-47	333
13.2654.000.12	11,52 (5 - 1,52 - 5)	QS-47	333
13.2613.000.12	12,76 (6 - 0,76 - 6)	QS-47	333



316

OUTDOOR	T	Q	333
14.2608.000.12	8	QS-45	333
14.2610.000.12	10	QS-45	333
14.2612.000.12	12	QS-45	333

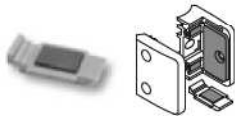


316

OUTDOOR	T	Q	333
14.2609.000.12	8,76 (4 - 0,76 - 4)	QS-45	333
14.2644.000.12	9,52 (4 - 1,52 - 4)	QS-45	333
14.2611.000.12	10,76 (5 - 0,76 - 5)	QS-45	333
14.2654.000.12	11,52 (5 - 1,52 - 5)	QS-45	333
14.2613.000.12	12,76 (6 - 0,76 - 6)	QS-45	333



Q-INFO



Insert the security plate into the glass clamp instead of using a security pin. Your costs are reduced because drilling the glass is not required.

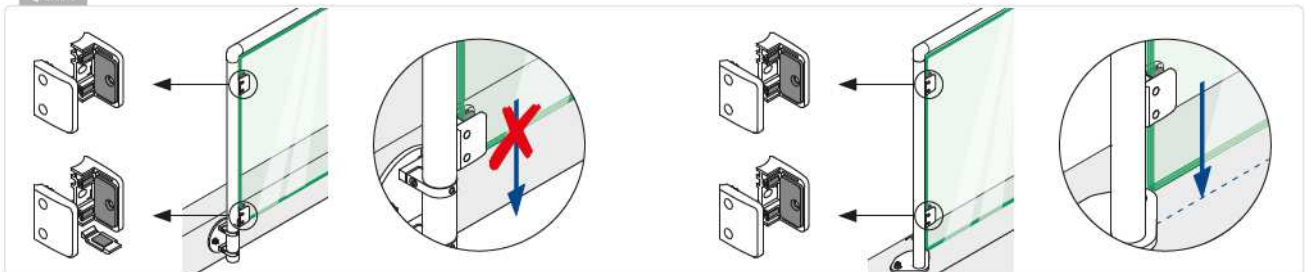
Q-INFO



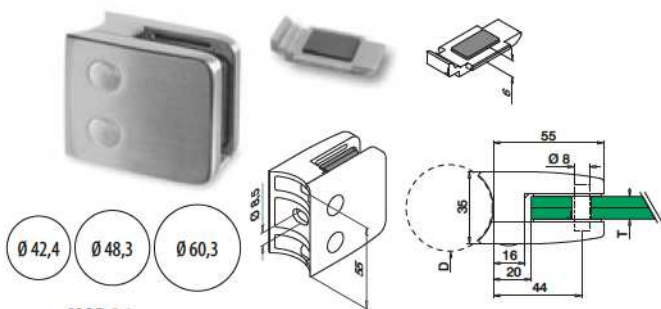
Q-23
Q-cleaner
300 ml
19.0601.000.00

Please order security pins and fixing bolts separately.

Q-INFO



Tube



Ø 42,4 Ø 48,3 Ø 60,3

MOD 26

MONO	304	INDOOR	D	T	AbZ	ETB	EN 12600	*
		13.2608.042.12*	Ø 42,4	8	QS-47	333	4	
		13.2610.042.12*	Ø 42,4	10	QS-47	333	4	
		13.2612.042.12*	Ø 42,4	12	QS-47	333	4	
		13.2608.048.12	Ø 48,3	8	QS-47	333	4	
		13.2610.048.12	Ø 48,3	10	QS-47	333	4	
		13.2612.048.12	Ø 48,3	12	QS-47	333	4	
		13.2608.060.12	Ø 60,3	8	QS-47	333	4	
		13.2610.060.12	Ø 60,3	10	QS-47	333	4	
		13.2612.060.12	Ø 60,3	12	QS-47	333	4	

LAM	304	INDOOR	D	T	AbZ	ETB	EN 12600	*
		13.2609.042.12*	Ø 42,4	8,76 (4 - 0,76 - 4)	QS-47	333	4	
		13.2644.042.12*	Ø 42,4	9,52 (4 - 1,52 - 4)	QS-47	333	4	
		13.2611.042.12*	Ø 42,4	10,76 (5 - 0,76 - 5)	QS-47	333	4	
		13.2654.042.12*	Ø 42,4	11,52 (5 - 1,52 - 5)	QS-47	333	4	
		13.2613.042.12*	Ø 42,4	12,76 (6 - 0,76 - 6)	QS-47	333	4	
		13.2609.048.12	Ø 48,3	8,76 (4 - 0,76 - 4)	QS-47	333	4	
		13.2644.048.12	Ø 48,3	9,52 (4 - 1,52 - 4)	QS-47	333	4	
		13.2611.048.12	Ø 48,3	10,76 (5 - 0,76 - 5)	QS-47	333	4	
		13.2654.048.12	Ø 48,3	11,52 (5 - 1,52 - 5)	QS-47	333	4	
		13.2613.048.12	Ø 48,3	12,76 (6 - 0,76 - 6)	QS-47	333	4	
		13.2609.060.12	Ø 60,3	8,76 (4 - 0,76 - 4)	QS-47	333	4	
		13.2644.060.12	Ø 60,3	9,52 (4 - 1,52 - 4)	QS-47	333	4	
		13.2611.060.12	Ø 60,3	10,76 (5 - 0,76 - 5)	QS-47	333	4	
		13.2654.060.12	Ø 60,3	11,52 (5 - 1,52 - 5)	QS-47	333	4	
		13.2613.060.12	Ø 60,3	12,76 (6 - 0,76 - 6)	QS-47	333	4	



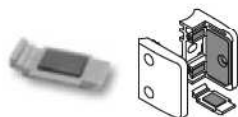
MOD 26

MONO	316	OUTDOOR	D	T	AbZ	ETB	EN 12600	*
		14.2608.042.12*	Ø 42,4	8	QS-45	333	4	
		14.2610.042.12*	Ø 42,4	10	QS-45	333	4	
		14.2612.042.12*	Ø 42,4	12	QS-45	333	4	
		14.2608.048.12	Ø 48,3	8	QS-45	333	4	
		14.2610.048.12	Ø 48,3	10	QS-45	333	4	
		14.2612.048.12	Ø 48,3	12	QS-45	333	4	
		14.2608.060.12	Ø 60,3	8	QS-45	333	4	
		14.2610.060.12	Ø 60,3	10	QS-45	333	4	
		14.2612.060.12	Ø 60,3	12	QS-45	333	4	

LAM	316	OUTDOOR	D	T	AbZ	ETB	EN 12600	*
		14.2609.042.12*	Ø 42,4	8,76 (4 - 0,76 - 4)	QS-45	333	4	
		14.2644.042.12*	Ø 42,4	9,52 (4 - 1,52 - 4)	QS-45	333	4	
		14.2611.042.12*	Ø 42,4	10,76 (5 - 0,76 - 5)	QS-45	333	4	
		14.2654.042.12*	Ø 42,4	11,52 (5 - 1,52 - 5)	QS-45	333	4	
		14.2613.042.12*	Ø 42,4	12,76 (6 - 0,76 - 6)	QS-45	333	4	
		14.2609.048.12	Ø 48,3	8,76 (4 - 0,76 - 4)	QS-45	333	4	
		14.2644.048.12	Ø 48,3	9,52 (4 - 1,52 - 4)	QS-45	333	4	
		14.2611.048.12	Ø 48,3	10,76 (5 - 0,76 - 5)	QS-45	333	4	
		14.2654.048.12	Ø 48,3	11,52 (5 - 1,52 - 5)	QS-45	333	4	
		14.2613.048.12	Ø 48,3	12,76 (6 - 0,76 - 6)	QS-45	333	4	
		14.2609.060.12	Ø 60,3	8,76 (4 - 0,76 - 4)	QS-45	333	4	
		14.2644.060.12	Ø 60,3	9,52 (4 - 1,52 - 4)	QS-45	333	4	
		14.2611.060.12	Ø 60,3	10,76 (5 - 0,76 - 5)	QS-45	333	4	
		14.2654.060.12	Ø 60,3	11,52 (5 - 1,52 - 5)	QS-45	333	4	
		14.2613.060.12	Ø 60,3	12,76 (6 - 0,76 - 6)	QS-45	333	4	



Q-INFO



Insert the security plate into the glass clamp instead of using a security pin. Your costs are reduced because drilling the glass is not required.

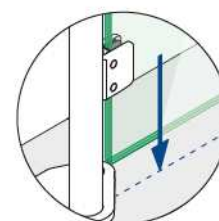
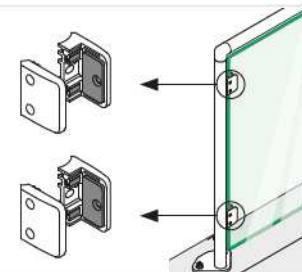
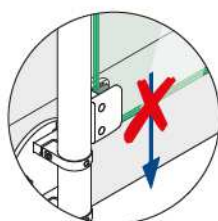
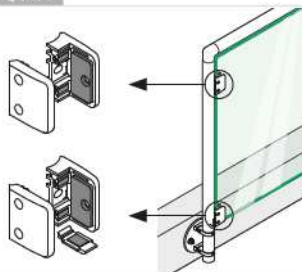
Q-INFO



Q-22
Q-ultra-clean
500 ml
19.0610.000.00

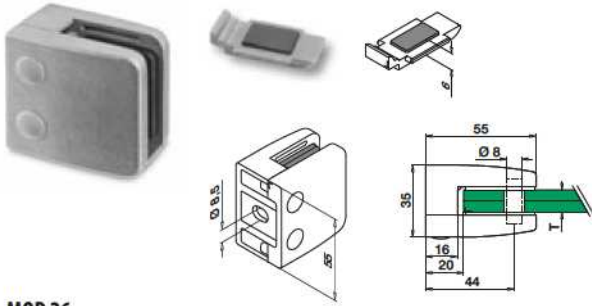
Please order security pins and fixing bolts separately.

Q-INFO



Glass clamps - MOD 26

Flat



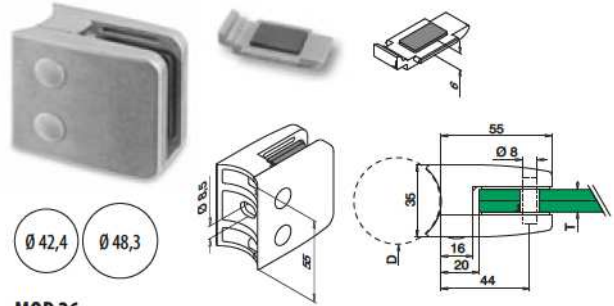
MOD 26

Zinc				
MONO	INDOOR	T		
	10.2608.000...	8	QS-46 333	4
	10.2610.000...	10	QS-46 333	4
	10.2612.000...	12	QS-46 333	4

Zinc				
LAM.	INDOOR	T		
	10.2609.000...	8,76 (4 - 0,76 - 4)	QS-46 333	4
	10.2644.000...	9,52 (4 - 1,52 - 4)	QS-46 333	4
	10.2611.000...	10,76 (5 - 0,76 - 5)	QS-46 333	4
	10.2654.000...	11,52 (5 - 1,52 - 5)	QS-46 333	4
	10.2613.000...	12,76 (6 - 0,76 - 6)	QS-46 333	4



Tube



MOD 26

Zinc				
MONO	INDOOR	D	T	
	10.2608.042...*	Ø 42,4	8	QS-46 333 4
	10.2610.042...*	Ø 42,4	10	QS-46 333 4
	10.2612.042...*	Ø 42,4	12	QS-46 333 4
	10.2608.048...	Ø 48,3	8	QS-46 333 4
	10.2610.048...	Ø 48,3	10	QS-46 333 4
	10.2612.048...	Ø 48,3	12	QS-46 333 4

Zinc				
LAM.	INDOOR	D	T	
	10.2609.042...*	Ø 42,4	8,76 (4 - 0,76 - 4)	QS-46 333 4
	10.2644.042...*	Ø 42,4	9,52 (4 - 1,52 - 4)	QS-46 333 4
	10.2611.042...*	Ø 42,4	10,76 (5 - 0,76 - 5)	QS-46 333 4
	10.2654.042...*	Ø 42,4	11,52 (5 - 1,52 - 5)	QS-46 333 4
	10.2613.042...*	Ø 42,4	12,76 (6 - 0,76 - 6)	QS-46 333 4
	10.2609.048...	Ø 48,3	8,76 (4 - 0,76 - 4)	QS-46 333 4
	10.2644.048...	Ø 48,3	9,52 (4 - 1,52 - 4)	QS-46 333 4
	10.2611.048...	Ø 48,3	10,76 (5 - 0,76 - 5)	QS-46 333 4
	10.2654.048...	Ø 48,3	11,52 (5 - 1,52 - 5)	QS-46 333 4
	10.2613.048...	Ø 48,3	12,76 (6 - 0,76 - 6)	QS-46 333 4



Please order security pins and fixing bolts separately.

Flat

Q-INFO Zinc MOD 26 Finishes

Raw



10.26.....00

Matt chrome



10.26.....16

Stainless steel effect



10.26.....19

Black RAL 9005



10.26.....31

White RAL 9016



10.26.....32

Aluminium white RAL 9006



10.26.....36

Tube

Q-INFO Zinc MOD 26 Finishes

Raw



10.26.....00

Stainless steel effect

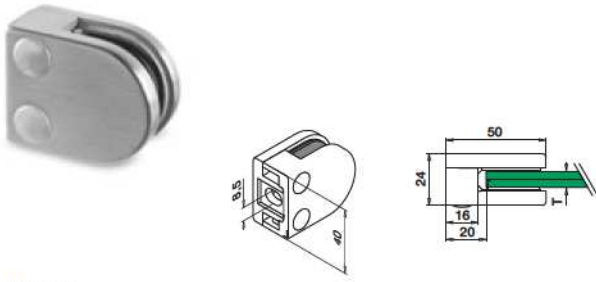


10.26.....19



MORE SPECTACTULAR PHOTOS AT
WWW.Q-RAILING.COM

Flat



MOD 27

MONO	304		T		
	INDOOR				
13.2710.000.12			10	QS-47 333	4

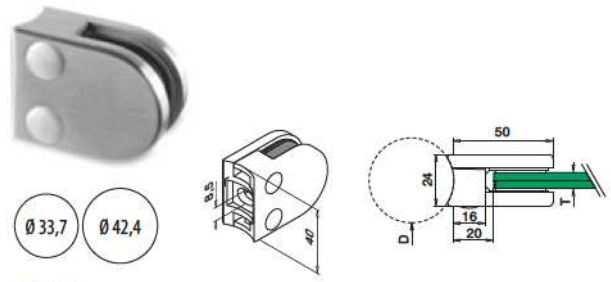
LAM.	304		T		
	INDOOR				
13.2709.000.12		8,76 (4 - 0,76 - 4)		QS-47 333	4
13.2744.000.12		9,52 (4 - 1,52 - 4)		QS-47 333	4
13.2711.000.12		10,76 (5 - 0,76 - 5)		QS-47 333	4

MONO	316		T		
	OUTDOOR				
14.2710.000.12			10	QS-45 333	4

LAM.	316		T		
	OUTDOOR				
14.2709.000.12		8,76 (4 - 0,76 - 4)		QS-45 333	4
14.2744.000.12		9,52 (4 - 1,52 - 4)		QS-45 333	4
14.2711.000.12		10,76 (5 - 0,76 - 5)		QS-45 333	4



Tube



MOD 27

MONO	304		D	T		
	INDOOR					
13.2710.033.12			Ø 33,7	10	QS-47 333	4
13.2710.042.12			Ø 42,4	10	QS-47 333	4

LAM.	304		D	T		
	INDOOR					
13.2709.033.12		8,76 (4 - 0,76 - 4)	Ø 33,7		QS-47 333	4
13.2744.033.12		9,52 (4 - 1,52 - 4)	Ø 33,7		QS-47 333	4
13.2711.033.12		10,76 (5 - 0,76 - 5)	Ø 33,7		QS-47 333	4
13.2709.042.12		8,76 (4 - 0,76 - 4)	Ø 42,4		QS-47 333	4
13.2744.042.12		9,52 (4 - 1,52 - 4)	Ø 42,4		QS-47 333	4
13.2711.042.12		10,76 (5 - 0,76 - 5)	Ø 42,4		QS-47 333	4

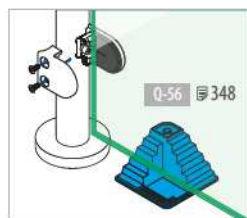
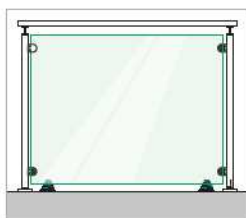
MONO	316		D	T		
	OUTDOOR					
14.2710.033.12			Ø 33,7	10	QS-45 333	4
14.2710.042.12			Ø 42,4	10	QS-45 333	4

LAM.	316		D	T		
	OUTDOOR					
14.2709.033.12		8,76 (4 - 0,76 - 4)	Ø 33,7		QS-45 333	4
14.2744.033.12		9,52 (4 - 1,52 - 4)	Ø 33,7		QS-45 333	4
14.2711.033.12		10,76 (5 - 0,76 - 5)	Ø 33,7		QS-45 333	4
14.2709.042.12		8,76 (4 - 0,76 - 4)	Ø 42,4		QS-45 333	4
14.2744.042.12		9,52 (4 - 1,52 - 4)	Ø 42,4		QS-45 333	4
14.2711.042.12		10,76 (5 - 0,76 - 5)	Ø 42,4		QS-45 333	4



Please order fixing bolts separately.

Q-INFO MOD 0715



Q-INFO



Q-23
Q-cleaner
300 ml
19.0601.000.00

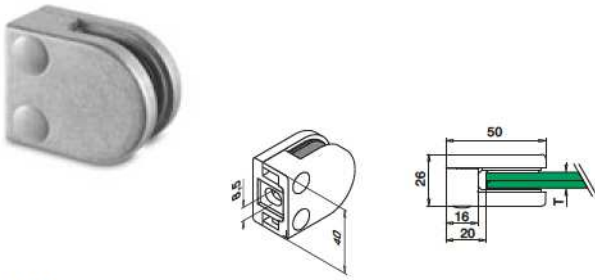
Q-INFO



Q-22
Q-ultra-clean
500 ml
19.0610.000.00

Glass clamps - MOD 27

Flat



MOD 27

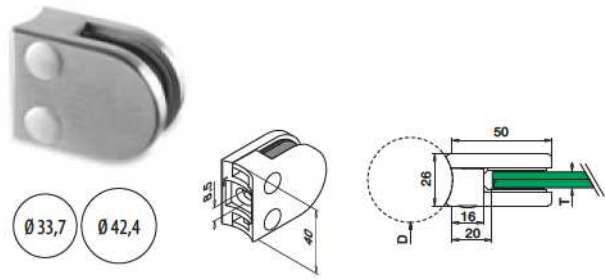
Zinc		T	Q5-46	333	4
MONO	INDOOR				
	10.2710.000...	10			

Zinc		T	Q5-46	333	4
LAM.	INDOOR				
	10.2709.000...	8,76 (4 - 0,76 - 4)			
	10.2744.000...	9,52 (4 - 1,52 - 4)			
	10.2711.000...	10,76 (5 - 0,76 - 5)			



If you have a specific requirement for pre-assembled products please use our order forms on pages 354 - 368.

Tube



MOD 27

Zinc		Stainless steel effect		T	Q5-46	333	4
MONO	INDOOR	D	T				
	10.2710.033.19	Ø 33,7	10				
	10.2710.042.19	Ø 42,4	10				

Zinc		Stainless steel effect		T	Q5-46	333	4
LAM.	INDOOR	D	T				
	10.2709.033.19	Ø 33,7	8,76 (4 - 0,76 - 4)				
	10.2744.033.19	Ø 33,7	9,52 (4 - 1,52 - 4)				
	10.2711.033.19	Ø 33,7	10,76 (5 - 0,76 - 5)				
	10.2709.042.19	Ø 42,4	8,76 (4 - 0,76 - 4)				
	10.2744.042.19	Ø 42,4	9,52 (4 - 1,52 - 4)				
	10.2711.042.19	Ø 42,4	10,76 (5 - 0,76 - 5)				



Flat

Q-INFO

Zinc

MOD 27 Finishes

Raw

Chrome plated

Stainless steel effect



10.27.....00



10.27.....17

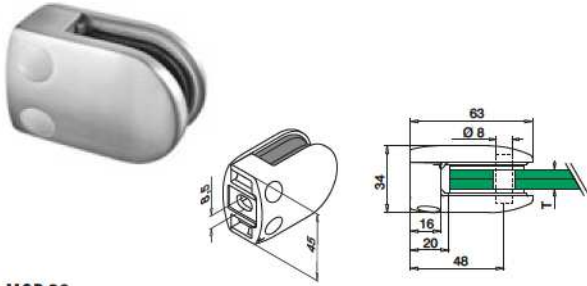


10.27.....19

Please order fixing bolts separately.



Flat



MOD 28

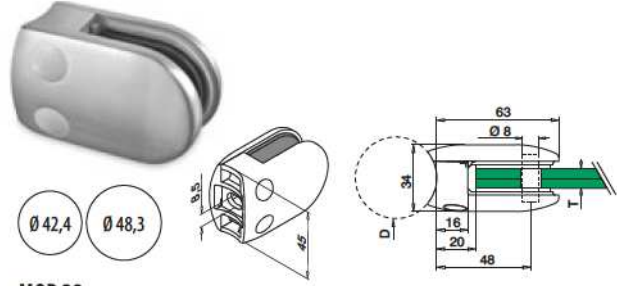
MONO	304		T	Q5-47	333	4
	INDOOR					
	13.2806.000...		6	Q5-47	333	4
	13.2808.000...		8	Q5-47	333	4
	13.2810.000...		10	Q5-47	333	4
	13.2812.000...		12	Q5-47	333	4

LAM.	304		T	Q5-47	333	4
	INDOOR					
	13.2807.000...	6,76 (3 - 0,76 - 3)		Q5-47	333	4
	13.2841.000...	8,38 (4 - 0,38 - 4)		Q5-47	333	4
	13.2809.000...	8,76 (4 - 0,76 - 4)		Q5-47	333	4
	13.2844.000...	9,52 (4 - 1,52 - 4)		Q5-47	333	4
	13.2811.000...	10,76 (5 - 0,76 - 5)		Q5-47	333	4
	13.2854.000...	11,52 (5 - 1,52 - 5)		Q5-47	333	4
	13.2813.000...	12,76 (6 - 0,76 - 6)		Q5-47	333	4



International Design Model Protection

Tube



MOD 28

MONO	304		T	Q5-47	333	4
	INDOOR	D				
	13.2806.042...	Ø 42,4	6	Q5-47	333	4
	13.2808.042...	Ø 42,4	8	Q5-47	333	4
	13.2810.042...	Ø 42,4	10	Q5-47	333	4
	13.2812.042...	Ø 42,4	12	Q5-47	333	4
	13.2806.048...	Ø 48,3	6	Q5-47	333	4
	13.2808.048...	Ø 48,3	8	Q5-47	333	4
	13.2810.048...	Ø 48,3	10	Q5-47	333	4
	13.2812.048...	Ø 48,3	12	Q5-47	333	4

LAM.	304		T	Q5-47	333	4
	INDOOR	D				
	13.2807.042...	Ø 42,4	6,76 (3 - 0,76 - 3)	Q5-47	333	4
	13.2841.042...	Ø 42,4	8,38 (4 - 0,38 - 4)	Q5-47	333	4
	13.2809.042...	Ø 42,4	8,76 (4 - 0,76 - 4)	Q5-47	333	4
	13.2844.042...	Ø 42,4	9,52 (4 - 1,52 - 4)	Q5-47	333	4
	13.2811.042...	Ø 42,4	10,76 (5 - 0,76 - 5)	Q5-47	333	4
	13.2854.042...	Ø 42,4	11,52 (5 - 1,52 - 5)	Q5-47	333	4
	13.2813.042...	Ø 42,4	12,76 (6 - 0,76 - 6)	Q5-47	333	4
	13.2807.048...	Ø 48,3	6,76 (3 - 0,76 - 3)	Q5-47	333	4
	13.2841.048...	Ø 48,3	8,38 (4 - 0,38 - 4)	Q5-47	333	4
	13.2809.048...	Ø 48,3	8,76 (4 - 0,76 - 4)	Q5-47	333	4
	13.2844.048...	Ø 48,3	9,52 (4 - 1,52 - 4)	Q5-47	333	4
	13.2811.048...	Ø 48,3	10,76 (5 - 0,76 - 5)	Q5-47	333	4
	13.2854.048...	Ø 48,3	11,52 (5 - 1,52 - 5)	Q5-47	333	4
	13.2813.048...	Ø 48,3	12,76 (6 - 0,76 - 6)	Q5-47	333	4



International Design Model Protection

Flat + tube

Q-INFO

304

MOD 28 Finishes

Satin

Polished

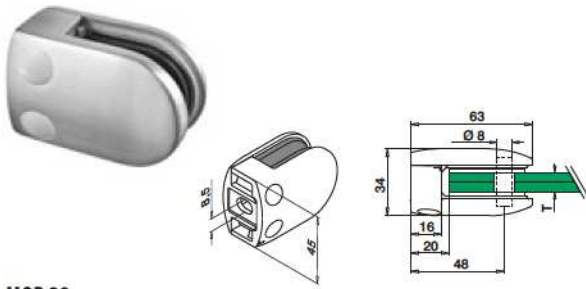


13.28.....12

13.28.....10

Please order security pins and fixing bolts separately.

Flat



MOD 28

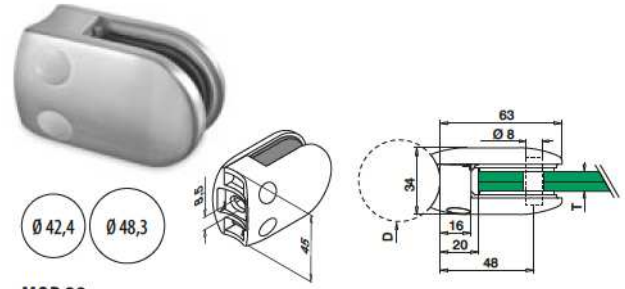
MONO	316				
	OUTDOOR	T			
14.2806.000...		6	QS-45	333	4
14.2808.000...		8	QS-45	333	4
14.2810.000...		10	QS-45	333	4
14.2812.000...		12	QS-45	333	4

LAM.	316				
	OUTDOOR	T			
14.2807.000...		6,76 (3 - 0,76 - 3)	QS-45	333	4
14.2841.000...		8,38 (4 - 0,38 - 4)	QS-45	333	4
14.2809.000...		8,76 (4 - 0,76 - 4)	QS-45	333	4
14.2844.000...		9,52 (4 - 1,52 - 4)	QS-45	333	4
14.2811.000...		10,76 (5 - 0,76 - 5)	QS-45	333	4
14.2854.000...		11,52 (5 - 1,52 - 5)	QS-45	333	4
14.2813.000...		12,76 (6 - 0,76 - 6)	QS-45	333	4



International Design Model Protection

Tube



MOD 28

MONO	316				
	OUTDOOR	D	T		
14.2806.042...		Ø 42,4	6	QS-45	333 4
14.2808.042...		Ø 42,4	8	QS-45	333 4
14.2810.042...		Ø 42,4	10	QS-45	333 4
14.2812.042...		Ø 42,4	12	QS-45	333 4
14.2806.048...		Ø 48,3	6	QS-45	333 4
14.2808.048...		Ø 48,3	8	QS-45	333 4
14.2810.048...		Ø 48,3	10	QS-45	333 4
14.2812.048...		Ø 48,3	12	QS-45	333 4

LAM.	316				
	OUTDOOR	D	T		
14.2807.042...		Ø 42,4	6,76 (3 - 0,76 - 3)	QS-45	333 4
14.2841.042...		Ø 42,4	8,38 (4 - 0,38 - 4)	QS-45	333 4
14.2809.042...		Ø 42,4	8,76 (4 - 0,76 - 4)	QS-45	333 4
14.2844.042...		Ø 42,4	9,52 (4 - 1,52 - 4)	QS-45	333 4
14.2811.042...		Ø 42,4	10,76 (5 - 0,76 - 5)	QS-45	333 4
14.2854.042...		Ø 42,4	11,52 (5 - 1,52 - 5)	QS-45	333 4
14.2813.042...		Ø 42,4	12,76 (6 - 0,76 - 6)	QS-45	333 4
14.2807.048...		Ø 48,3	6,76 (3 - 0,76 - 3)	QS-45	333 4
14.2841.048...		Ø 48,3	8,38 (4 - 0,38 - 4)	QS-45	333 4
14.2809.048...		Ø 48,3	8,76 (4 - 0,76 - 4)	QS-45	333 4
14.2844.048...		Ø 48,3	9,52 (4 - 1,52 - 4)	QS-45	333 4
14.2811.048...		Ø 48,3	10,76 (5 - 0,76 - 5)	QS-45	333 4
14.2854.048...		Ø 48,3	11,52 (5 - 1,52 - 5)	QS-45	333 4
14.2813.048...		Ø 48,3	12,76 (6 - 0,76 - 6)	QS-45	333 4



International Design Model Protection

Flat + tube

Q-INFO 316 MOD 28 Finishes

Satin

Polished

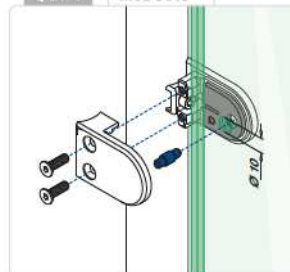


14.28.....12

14.28.....10

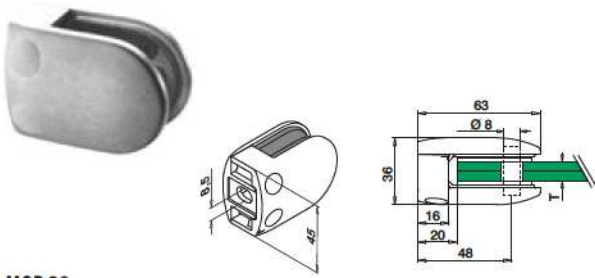
Please order security pins and fixing bolts separately.

Q-INFO MOD 5015



Glass clamps - MOD 28

Flat



MOD 28

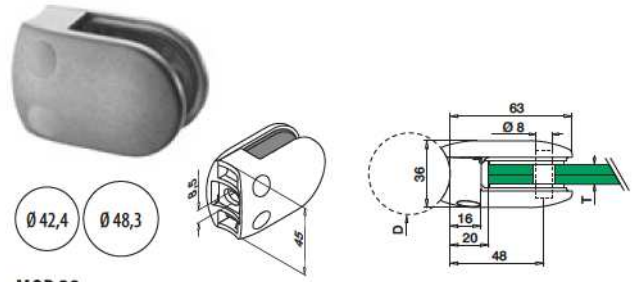
Zinc				
MONO	INDOOR	T		
	10.2806.000...	6	QS-46 333	4
	10.2808.000...	8	QS-46 333	4
	10.2810.000...	10	QS-46 333	4
	10.2812.000...	12	QS-46 333	4

Zinc				
LAM.	INDOOR	T		
	10.2807.000...	6,76 (3 - 0,76 - 3)	QS-46 333	4
	10.2841.000...	8,38 (4 - 0,38 - 4)	QS-46 333	4
	10.2809.000...	8,76 (4 - 0,76 - 4)	QS-46 333	4
	10.2844.000...	9,52 (4 - 1,52 - 4)	QS-46 333	4
	10.2811.000...	10,76 (5 - 0,76 - 5)	QS-46 333	4
	10.2854.000...	11,52 (5 - 1,52 - 5)	QS-46 333	4
	10.2813.000...	12,76 (6 - 0,76 - 6)	QS-46 333	4



International Design Model Protection

Tube



MOD 28

Zinc				
MONO	INDOOR	D	T	
	10.2806.042...	Ø 42,4	6	QS-46 333 4
	10.2808.042...	Ø 42,4	8	QS-46 333 4
	10.2810.042...	Ø 42,4	10	QS-46 333 4
	10.2812.042...	Ø 42,4	12	QS-46 333 4
	10.2806.048...	Ø 48,3	6	QS-46 333 4
	10.2808.048...	Ø 48,3	8	QS-46 333 4
	10.2810.048...	Ø 48,3	10	QS-46 333 4
	10.2812.048...	Ø 48,3	12	QS-46 333 4

Zinc				
LAM.	INDOOR	D	T	
	10.2807.042...	Ø 42,4	6,76 (3 - 0,76 - 3)	QS-46 333 4
	10.2841.042...	Ø 42,4	8,38 (4 - 0,38 - 4)	QS-46 333 4
	10.2809.042...	Ø 42,4	8,76 (4 - 0,76 - 4)	QS-46 333 4
	10.2844.042...	Ø 42,4	9,52 (4 - 1,52 - 4)	QS-46 333 4
	10.2811.042...	Ø 42,4	10,76 (5 - 0,76 - 5)	QS-46 333 4
	10.2854.042...	Ø 42,4	11,52 (5 - 1,52 - 5)	QS-46 333 4
	10.2813.042...	Ø 42,4	12,76 (6 - 0,76 - 6)	QS-46 333 4
	10.2807.048...	Ø 48,3	6,76 (3 - 0,76 - 3)	QS-46 333 4
	10.2841.048...	Ø 48,3	8,38 (4 - 0,38 - 4)	QS-46 333 4
	10.2809.048...	Ø 48,3	8,76 (4 - 0,76 - 4)	QS-46 333 4
	10.2844.048...	Ø 48,3	9,52 (4 - 1,52 - 4)	QS-46 333 4
	10.2811.048...	Ø 48,3	10,76 (5 - 0,76 - 5)	QS-46 333 4
	10.2854.048...	Ø 48,3	11,52 (5 - 1,52 - 5)	QS-46 333 4
	10.2813.048...	Ø 48,3	12,76 (6 - 0,76 - 6)	QS-46 333 4



International Design Model Protection

Flat

Q-INFO

Zinc

MOD 28 Finishes

Raw Matt chrome Chrome plated Stainless steel effect



Black RAL 9005 White RAL 9016 Aluminium white RAL 9006



Please order security pins and fixing bolts separately.

Tube

Q-INFO

Zinc

MOD 28 Finishes

Raw Chrome plated Stainless steel effect

