



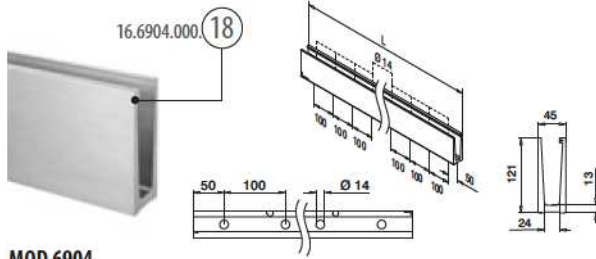
# EASY GLASS® SLIM

The economical solution in our range of minimalist glass railing systems, Easy Glass® Slim's light weight makes its base shoe easy to manoeuvre on site. Plus, the safety wedge system gets installation done in no time! Slim is a complete and affordable solution that includes an integrated water drainage channel for practical use. It is suitable for 12-21.52 mm glass, and looks terrific when finished off with a cap rail.



EASY GLASS® SLIM - Base shoe, top mount

25 µ anodisation



MOD 6904

Aluminium Stainless steel effect

OUTDOOR 16.6904.500.18 QS-519 341 L = 5000 mm

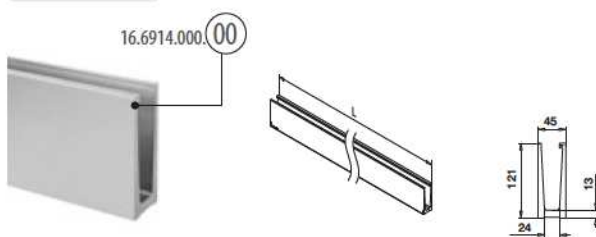


MOD 6904

Accessories

	T	
19.6904.912.00	12	L = 5000 mm
19.6904.913.00	12,76 (6 - 0,76 - 6)	L = 5000 mm
19.6904.914.00	13,52 (6 - 1,52 - 6)	L = 5000 mm
19.6904.915.00	15	L = 5000 mm
19.6904.917.00	16,76 (8 - 0,76 - 8)	L = 5000 mm
19.6904.918.00	17,52 (8 - 1,52 - 8)	L = 5000 mm
19.6904.919.00	19	L = 5000 mm
19.6904.921.00	20,76 (10 - 0,76 - 10)	L = 5000 mm
19.6904.922.00	21,52 (10 - 1,52 - 10)	L = 5000 mm
19.6904.512.00	12	L = 25 m
19.6904.513.00	12,76 (6 - 0,76 - 6)	L = 25 m
19.6904.514.00	13,52 (6 - 1,52 - 6)	L = 25 m
19.6904.515.00	15	L = 25 m
19.6904.517.00	16,76 (8 - 0,76 - 8)	L = 25 m
19.6904.518.00	17,52 (8 - 1,52 - 8)	L = 25 m
19.6904.519.00	19	L = 25 m
19.6904.521.00	20,76 (10 - 0,76 - 10)	L = 25 m
19.6904.522.00	21,52 (10 - 1,52 - 10)	L = 25 m

Without holes



MOD 6914

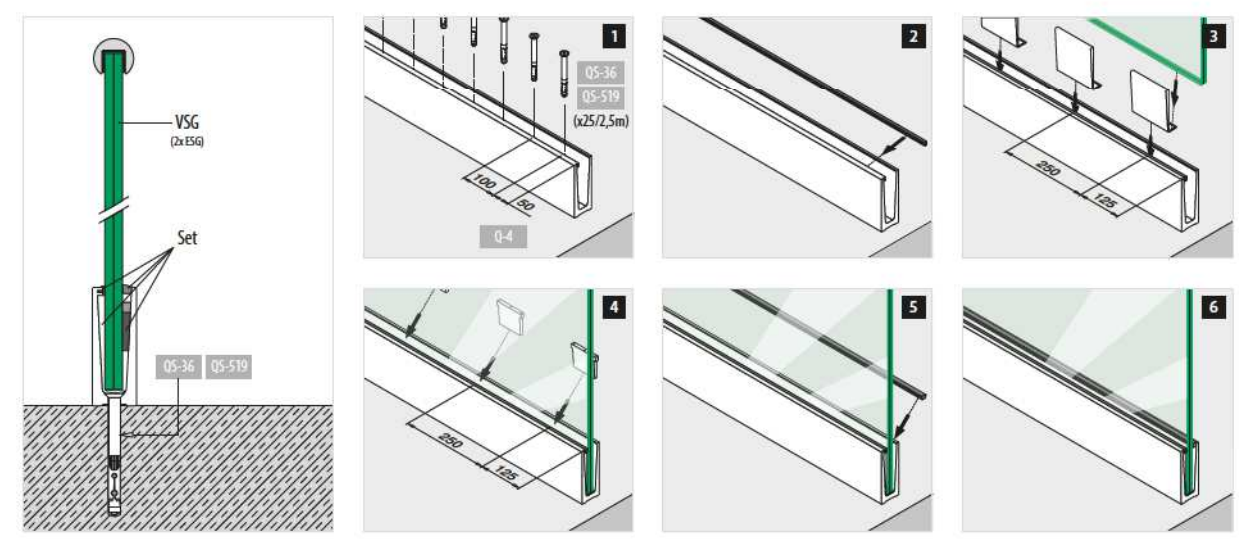
Aluminium No stainless steel effect

INDOOR 16.6914.500.00 L = 5000 mm



Safety Wedge System:  
Glass is being clamped. Drilling is not necessary.

Q-INFO MOD 6904

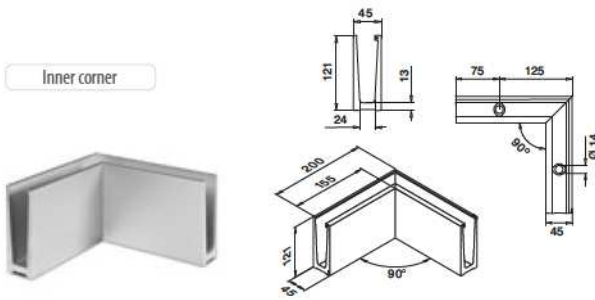


VSG (2x ESG): Laminated glass from toughened glass  
ESG : Toughened glass

Please note for specifications such as mounting and glass dimension measurements, see the respective certificates.

## EASY GLASS® SLIM - Connectors, top mount

Inner corner

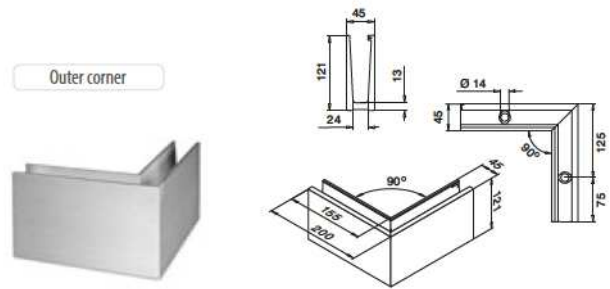


## MOD 6313

Aluminium	Stainless steel effect	
OUTDOOR		
16.6313.004.18	QS-519 341	1



Outer corner



## MOD 6314

Aluminium	Stainless steel effect	
OUTDOOR		
16.6314.004.18	QS-519 341	1



## EASY GLASS® SLIM - Cladding, top mount

Cladding frontside



## MOD 6920

304		
INDOOR		
13.6920.004.12	L = 2500 mm	
316		
OUTDOOR		
14.6920.504.12	L = 5000 mm	



Cladding backside



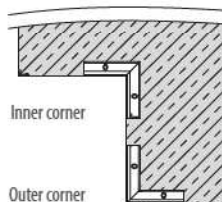
## MOD 6921 / 6922

304		
INDOOR	T	
13.6921.124.12	12	L = 2500 mm
13.6921.134.12	12,76 - 13,52	L = 2500 mm
13.6921.154.12	15	L = 2500 mm
13.6921.174.12	16,76 - 17,52	L = 2500 mm
13.6921.194.12	19	L = 2500 mm
13.6921.214.12	20,76 - 21,52	L = 2500 mm
316		
OUTDOOR	T	
14.6922.124.12	12	L = 5000 mm
14.6922.134.12	12,76 - 13,52	L = 5000 mm
14.6922.174.12	16,76 - 17,52	L = 5000 mm
14.6922.214.12	20,76 - 21,52	L = 5000 mm



## Q-INFO

## MOD 6313 / 6314

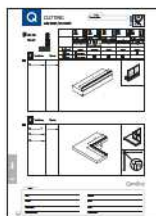


Inner corner

Outer corner

## Q-INFO

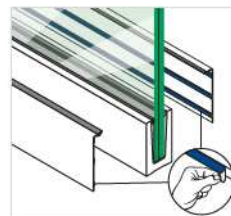
## MOD 6904 / 6914



We can cut this article for you based on your specifications for length and required angles. Contact us for details, or see the 'Cutting' information on page 376-378, 382.

## Q-INFO

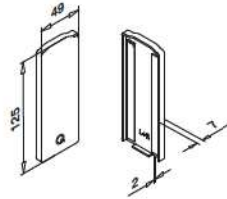
## MOD 6920 / 6921 / 6922



EASY GLASS® SLIM - End fittings and drainage profiles, top mount



Use without cladding  
Left + right applicable

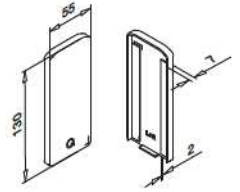


MOD 6734

<b>Aluminium</b>	Stainless steel effect	
<b>OUTDOOR</b>		
16.6734.004.18		1



Use with stainless steel cladding  
Left + right applicable



MOD 6734

<b>Zinc</b>	Stainless steel effect	
<b>OUTDOOR</b>		
10.6734.004.20		1

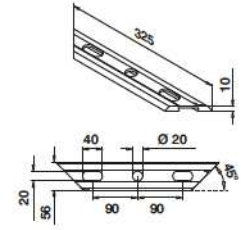


Use without cladding  
For stairs  
Left + right applicable



MOD 6736

<b>Aluminium</b>	Stainless steel effect	
<b>OUTDOOR</b>		
16.6736.004.18		1



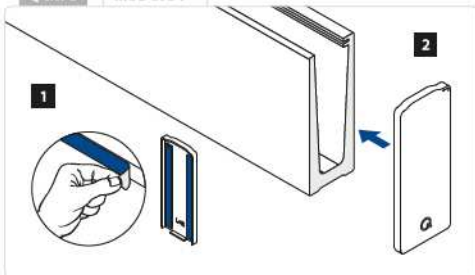
MOD 6948

<b>Aluminium</b>	Stainless steel effect	
<b>OUTDOOR</b>		
16.6948.004.18		8

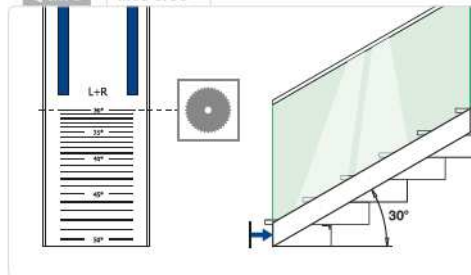


International Design Model Protection

Q-INFO MOD 6734



Q-INFO MOD 6736



Q-INFO MOD 6948

